

# PRESSURE WASHER OPERATION MANUAL

for model PWZC164000

Record All Information and attach sales receipt here for future reference:

Purchase Date: \_\_\_\_\_

Serial #: \_\_\_\_\_

### Questions? 1-888-895-4549

Learn more about your pressure washer,  
get answers to frequently asked questions,  
and register on line at  
[www.powermate.com](http://www.powermate.com)



## TABLE OF CONTENTS

Safety Guidelines/Definitions.....	2	Storage.....	11
Consumer Safety Information.....	2	Repairs.....	12
Important Safety Instructions.....	2-5	Troubleshooting Guide.....	12
Specifications.....	5	Warranty.....	13
Carton Contents.....	5	Parts List & Exploded View.....	14-17
Assembly Instructions.....	6	Français.....	18-30
Operating Instructions.....	7-10	Español.....	31-43
Maintenance.....	11		

**IMPORTANT:** Please make certain that the person who is to use this equipment carefully reads and understands these instructions before operating.

# SAFETY GUIDELINES - DEFINITONS

## • SAVE ALL INSTRUCTIONS

This manual contains information that is important for you to know and understand. This information relates to protecting YOUR SAFETY and PREVENTING EQUIPMENT PROBLEMS. To help you recognize this information, we use the symbols below. Please read the manual and pay attention to these symbols.

<p><b>⚠ DANGER</b></p> <p>Indicates an imminently hazardous situation which, if not avoided, WILL result in DEATH OR SERIOUS INJURY.</p>	<p><b>⚠ CAUTION</b></p> <p>Indicates a potentially hazardous situation which, if not avoided, MAY result in MINOR OR MODERATE INJURY.</p>
<p><b>⚠ WARNING</b></p> <p>Indicates a potentially hazardous situation which, if not avoided, COULD result in DEATH OR SERIOUS INJURY.</p>	<p><b>CAUTION</b></p> <p>Used without the safety alert symbol indicates a potentially hazardous situation which, if not avoided, MAY result in PROPERTY DAMAGE.</p>

# CONSUMER SAFETY INFORMATION

## • SAVE ALL INSTRUCTIONS

**⚠ WARNING** This product may not be equipped with a spark arresting muffler. If the product is not equipped and will be used around flammable materials, or on land covered with materials such as agricultural crops, forest, brush, grass, or other similar items, then an approved spark arrester must be installed and is legally required by the state of California. It is a violation of California statutes section 130050 and/or sections 4442 and 4443 of California Public Resources Code, unless the engine is equipped with a spark arrester, as defined in section 4442, and maintained in effective working order. Spark arresters are also required on some U.S. Forest Service land and may also be legally required under other statutes and ordinances.

## **⚠ WARNING CALIFORNIA PROPOSITION 65 WARNING**

This product contains chemicals known to the State of California to cause cancer, birth defects and/or reproductive harm.

# IMPORTANT SAFETY INFORMATION

## • SAVE ALL INSTRUCTIONS

**⚠ WARNING** Do not operate this unit until you have read and understand this Operators Manual and the Engine Owners Manual for Safety, Operation, and Maintenance Instructions.

### READ AND SAVE THESE INSTRUCTIONS

## **⚠ DANGER RISK OF EXPLOSION FOR FIRE**



WHAT CAN HAPPEN	HOW TO PREVENT IT
<ul style="list-style-type: none"> <li>Spilled gasoline and it's vapors can become ignited from cigarette sparks, electrical arcing, exhaust gases and hot engine components such as the muffler.</li> </ul>	<ul style="list-style-type: none"> <li>Shut off engine and allow it to cool before adding fuel to the tank.</li> <li>Use care in filling tank to avoid spilling fuel. Move pressure washer away from fueling area before starting engine.</li> </ul>
<ul style="list-style-type: none"> <li>Heat will expand fuel in the tank, which could result in spillage and possible fire explosion.</li> </ul>	<ul style="list-style-type: none"> <li>Fill tank to ½" (12.7 mm) below bottom of filler neck to provide space for fuel expansion.</li> </ul>
<ul style="list-style-type: none"> <li>Operating the pressure washer in an explosive environment could result in a fire.</li> </ul>	<ul style="list-style-type: none"> <li>Operate and fuel equipment in well-ventilated areas free from obstructions. Equip areas with fire extinguisher suitable for gasoline fires.</li> </ul>
<ul style="list-style-type: none"> <li>Materials placed against or near the pressure washer can interfere with its proper ventilation features causing overheating and possible ignition of the materials.</li> </ul>	<ul style="list-style-type: none"> <li>Never operate pressure washer in an area containing dry brush or weeds.</li> </ul>
<ul style="list-style-type: none"> <li>Muffler exhaust heat can damage painted surfaces, melt any material sensitive to heat (such as siding, plastic, rubber, vinyl, or the pressure hose, itself), and damage live plants.</li> </ul>	<ul style="list-style-type: none"> <li>Always keep pressure washer a minimum of 4' (1.2m) away from surfaces (such as houses, automobiles or live plants) that could be damaged from muffler exhaust heat.</li> </ul>

## IMPORTANT SAFETY INFORMATION (CONT.)

- SAVE ALL INSTRUCTIONS

### **DANGER** RISK OF EXPLOSION FOR FIRE (CONT.)

WHAT CAN HAPPEN	HOW TO PREVENT IT
<ul style="list-style-type: none"> <li>• Improperly stored fuel could lead to accidental ignition. Fuel improperly secured could get into the hands of children or other unqualified persons.</li> </ul>	<ul style="list-style-type: none"> <li>• Store fuel in an OSHA-approved container, in a secure location away from work area.</li> </ul>
<ul style="list-style-type: none"> <li>• Use of acids, toxic or corrosive chemicals, poisons, insecticides, or any kind of flammable solvent with this product could result in serious injury or death.</li> </ul>	<ul style="list-style-type: none"> <li>• Do not spray flammable liquids.</li> </ul>

### **DANGER** RISK TO BREATHING (ASPHYXIATION)



WHAT CAN HAPPEN	HOW TO PREVENT IT
<ul style="list-style-type: none"> <li>• Breathing exhaust fumes will cause serious injury or death! Engine exhaust contains carbon monoxide, an odorless and deadly gas.</li> </ul>	<ul style="list-style-type: none"> <li>• Operate pressure washer in a well-ventilated area. Avoid enclosed areas such as garages, basements, etc.</li> <li>• Never operate unit in a location occupied by humans or animals.</li> </ul>
<ul style="list-style-type: none"> <li>• Some cleaning fluids contain substances which could cause injury to skin, eyes or lungs.</li> </ul>	<ul style="list-style-type: none"> <li>• Use only cleaning fluids specifically recommended for high-pressure washers. Follow manufacturers recommendations. Do not use chlorine bleach or any other corrosive compound.</li> </ul>

### **DANGER** RISK OF FLUID INJECTION AND LACERATION



WHAT CAN HAPPEN	HOW TO PREVENT IT
<ul style="list-style-type: none"> <li>• Your pressure washer operates at fluid pressures and velocities high enough to penetrate human and animal flesh, which could result in amputation or other serious injury. Leaks caused by loose fittings or worn or damaged hoses can result in injection injuries. <b>DO NOT TREAT FLUID INJECTION AS A SIMPLE CUT!</b> See a physician immediately!</li> </ul>	<ul style="list-style-type: none"> <li>• Inspect the high-pressure hose regularly. Replace the hose regularly. Replace the hose immediately if it is damaged, worn, has melted from contacting the engine, or shows any signs of cracking, bubbles, pinholes, or other leakage. Never grasp a high-pressure hose that is leaking or damaged.</li> <li>• Never touch, grasp or attempt to cover a pinhole or similar water leak on the high-pressure hose. The stream of water IS under high pressure and WILL penetrate skin.</li> <li>• Never place hands in front of nozzle.</li> <li>• Direct spray away from self and others.</li> <li>• Make sure hose and fittings are tightened and in good condition. Never hold onto the hose or fittings during operation.</li> <li>• Do not allow hose to contact muffler.</li> <li>• Never attach or remove wand or hose fittings while system is pressurized.</li> </ul>
<ul style="list-style-type: none"> <li>• Injuries can result if system pressure is not reduced before attempting maintenance or disassembly.</li> </ul>	<ul style="list-style-type: none"> <li>• To relieve system pressure, shut off engine, turn off water supply and pull gun trigger until water stops flowing.</li> <li>• Use only hoses and accessories rated for pressure higher than your pressure washer's PSI.</li> </ul>

### **DANGER** RISK OF INJURY FROM SPRAY



WHAT CAN HAPPEN	HOW TO PREVENT IT
<ul style="list-style-type: none"> <li>• High-velocity fluid spray can cause objects to break, propelling particles at high speed.</li> <li>• Light or unsecured objects can become hazardous projectiles.</li> </ul>	<ul style="list-style-type: none"> <li>• Always wear ANSI-approved z87.1 safety glasses. Wear protective clothing to protect against accidental spraying.</li> <li>• Never point wand at or spray people or animals.</li> <li>• Always secure trigger lock when wand is not in service to prevent accidental operation.</li> <li>• Never permanently secure trigger in pull-back (open) position.</li> </ul>

# IMPORTANT SAFETY INFORMATION (CONT.)

• SAVE ALL INSTRUCTIONS



## **⚠ DANGER** RISK OF FLUID INJECTION AND LACERATION

WHAT CAN HAPPEN	HOW TO PREVENT IT
<ul style="list-style-type: none"> <li>• Unsafe operation of your pressure washer could lead to serious injury or death to you or others.</li> </ul>	<ul style="list-style-type: none"> <li>• Do not use chlorine bleach or any other corrosive compound.</li> <li>• Become familiar with the operation and controls of the pressure washer.</li> <li>• Keep operating area clear of all persons, pets and obstacles.</li> <li>• Do not operate the product when fatigued or under the influence of alcohol or drugs. Stay alert at all times.</li> <li>• Never defect the safety features of this product.</li> <li>• Do not operate machine with missing, broken or unauthorized parts.</li> <li>• Never leave wand unattached while unit is running.</li> </ul>
<ul style="list-style-type: none"> <li>• If proper starting procedure is not followed, engine can kickback causing serious hand and arm injury.</li> </ul>	<ul style="list-style-type: none"> <li>• If engine does not start after two pulls, squeeze trigger of gun to relieve pump pressure. Pull starter cord slowly until resistance is felt. Then pull cord rapidly to avoid kickback and prevent hand or arm injury.</li> </ul>
<ul style="list-style-type: none"> <li>• The spray gun/wand is a powerful cleaning tool that could look like a toy to a child.</li> </ul>	<ul style="list-style-type: none"> <li>• Keep children away from the pressure washer at all times.</li> </ul>
<ul style="list-style-type: none"> <li>• Reactive force of spray will cause gun/wand to kickback, and could cause the operator to slip or fall or misdirect the spray. Improper control of gun/wand can result in injuries to self and others.</li> </ul>	<ul style="list-style-type: none"> <li>• Do not overreach or stand on an unstable support.</li> <li>• Do not use pressure washer while standing on a ladder.</li> <li>• Grip gun/wand firmly with both hands. Expect the gun to kickback when triggered.</li> </ul>

## **⚠ DANGER** RISK OF INJURY OR PROPERTY DAMAGE WHEN TRANSPORTING OR STORING



WHAT CAN HAPPEN	HOW TO PREVENT IT
<ul style="list-style-type: none"> <li>• Fuel or oil leak or spill could result in fire or breathing hazard. Serious injury or death can result. Fuel or oil leaks will damage carpet, paint or other surfaces in vehicles or trailers.</li> </ul>	<ul style="list-style-type: none"> <li>• If pressure washer is equipped with a fuel shut-off valve, turn the valve to OFF position before transporting to avoid fuel leaks. If pressure washer is not equipped with a fuel shut-off valve, drain the fuel from tank before transporting. Only transport fuel in an OSHA- approved container. Always place pressure washer on a protective mat when transporting to protect against damage to vehicle from leaks. Remove pressure washer from vehicle immediately upon arrival at your destination.</li> </ul>



## **⚠ WARNING** RISK OF HOT SURFACES

WHAT CAN HAPPEN	HOW TO PREVENT IT
<ul style="list-style-type: none"> <li>• Contact with hot surfaces, such as engines exhaust components, could result in serious burn.</li> </ul>	<ul style="list-style-type: none"> <li>• During operation, touch only the control surfaces of the pressure washer. Keep children away from the pressure washer at all times. They may not be able to recognize the hazards of this product.</li> </ul>



## **⚠ WARNING** RISK OF CHEMICAL BURN

WHAT CAN HAPPEN	HOW TO PREVENT IT
<ul style="list-style-type: none"> <li>• Use of acids, toxic or corrosive chemical, poisons, insecticides, or any kind of flammable solvent with this product could result in serious injury or death.</li> </ul>	<ul style="list-style-type: none"> <li>• Do not use acids, gasoline, kerosene, or any other flammable materials in this product. Use only household detergents, cleaners and degreasers recommended for use in pressure washers.</li> <li>• Wear protective clothing to protect eyes and skin from contact with spraying materials.</li> </ul>

# IMPORTANT SAFETY INFORMATION (CONT.)

• SAVE ALL INSTRUCTIONS

## **WARNING** RISK OF ELECTRICAL SHOCK



WHAT CAN HAPPEN	HOW TO PREVENT IT
<ul style="list-style-type: none"> <li>• Spray directed at electrical outlets or switches, or objects connected to an electrical circuit, could result in a fatal electric shock.</li> </ul>	<ul style="list-style-type: none"> <li>• Unplug any electrically operated product before attempting to clean it. Direct spray away from electric outlets and switches.</li> </ul>

## **WARNING** RISK OF INJURY FROM LIFTING



WHAT CAN HAPPEN	HOW TO PREVENT IT
<ul style="list-style-type: none"> <li>• Serious injury can result from attempting to lift too heavy an object.</li> </ul>	<ul style="list-style-type: none"> <li>• The pressure washer is too heavy to be lifted by one person. Obtain assistance from others before lifting.</li> </ul>

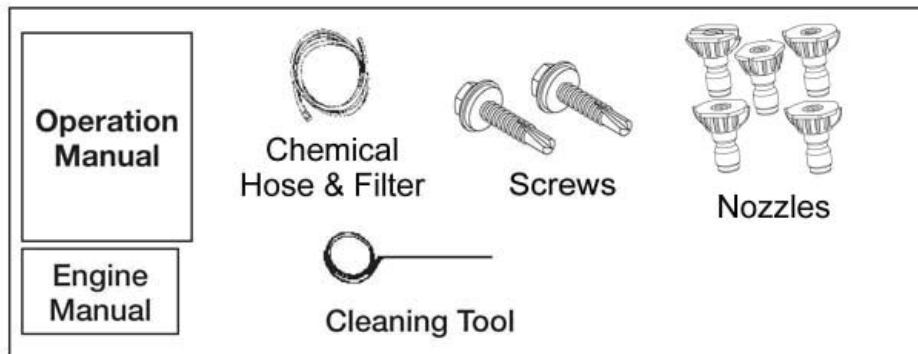
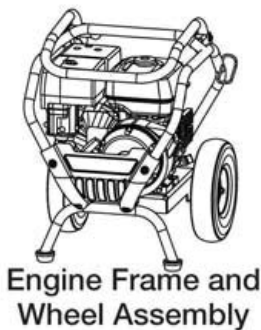
## SPECIFICATIONS

• SAVE ALL INSTRUCTIONS

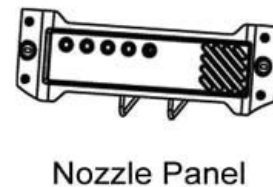
MODEL.....	PWZC164000	PUMP OIL CAPACITY .....	11 oz.
OPERATING PSI.....	4000	PUMP OIL TYPE.....	Commercial tractor fluid
OPERATING GPM .....	4.0		

## CARTON CONTENTS

• SAVE ALL INSTRUCTIONS



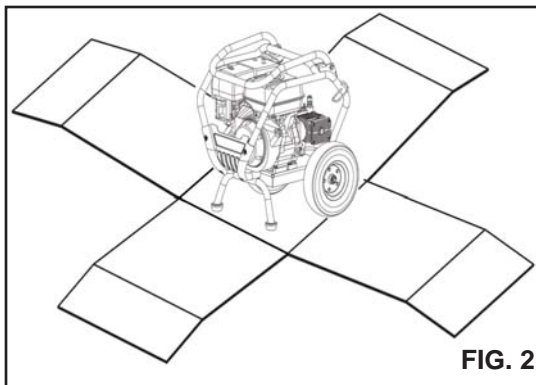
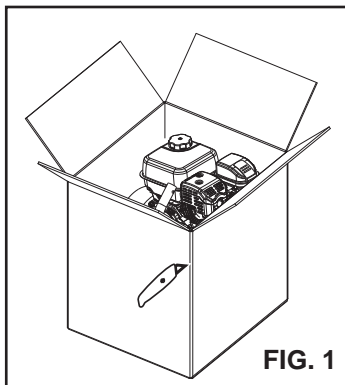
Bagged Parts



# ASSEMBLY INSTRUCTIONS

• SAVE ALL INSTRUCTIONS

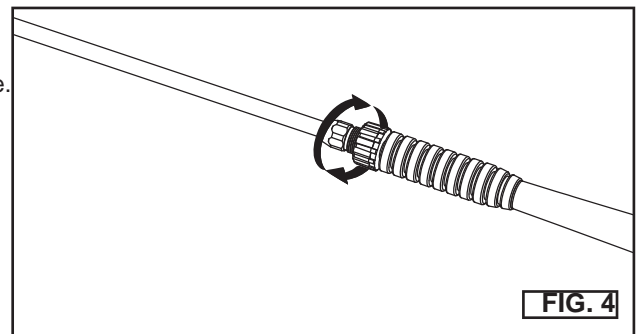
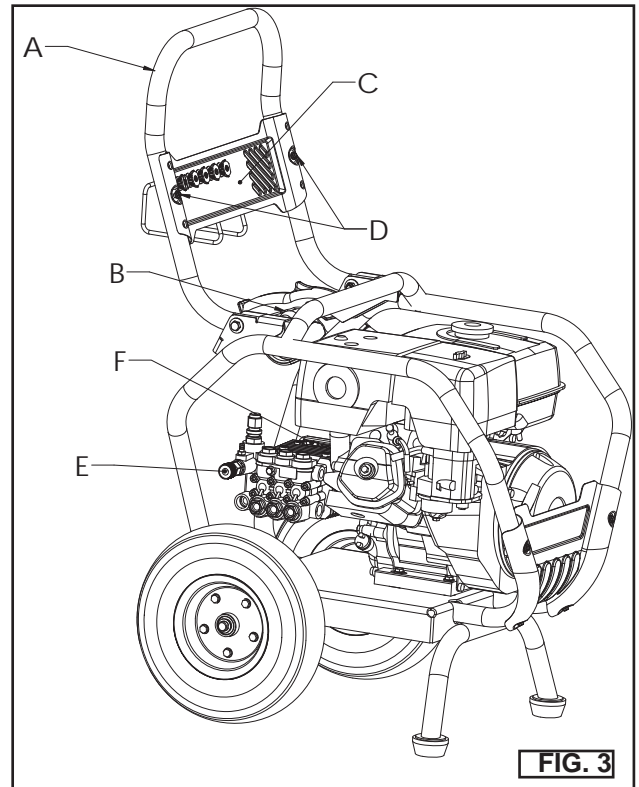
1. Locate and remove all loose parts from the carton. (Fig. 1)
2. Cut four corners of the carton from top and bottom and lay the panels flat. (Fig. 2)



3. Rotate the handle (A) up away from the pressure washer until it stops, pull out the pin (B) and rotate the handle until it stops. Let go of the pin and move the handle slightly to lock in place.
4. Roll the unit off the carton and discard carton.
5. Attach the nozzle panel (C) to the handle (A) with the 2 screws (D) provided as shown in Fig. 3. Insert the 5 nozzle tips into the grommets on the panel.
6. Connect high-pressure hose to pump outlet (E). Tighten securely. (Fig. 3)
7. Connect wand to gun. Tighten securely. (Fig. 4)
8. Attach high-pressure hose to gun. Tighten securely. (Fig. 5)

**NOTE:** The pump on this unit is shipped with oil and a plug in the head that needs to be switched with the dipstick before operating the pressure washer for the first time.

9. Remove the plug (F) from the pump head and replace it with the dipstick supplied with the pump. To check and change oil, refer to the "Maintenance" section of this manual.

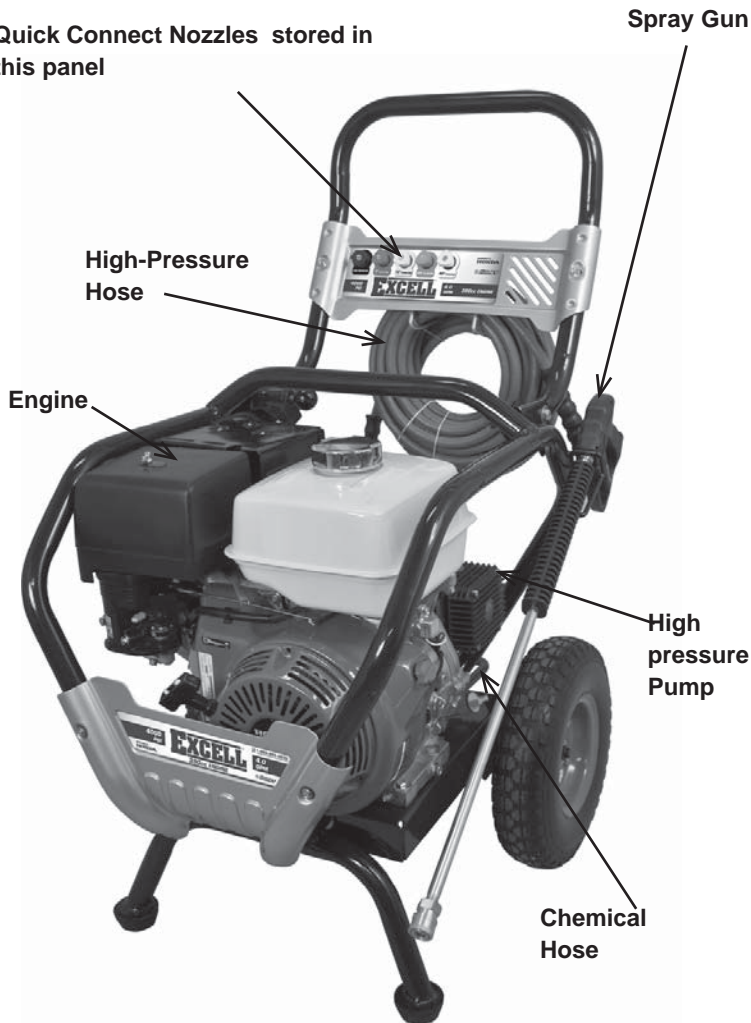


# OPERATING INSTRUCTIONS

• SAVE ALL INSTRUCTIONS

Compare the illustrations with your unit to familiarize yourself with the location of various controls and adjustments. Save this manual for future reference.

Quick Connect Nozzles stored in this panel



## BASIC ELEMENTS OF A PRESSURE WASHER

**High Pressure Pump:** Increases the pressure of the water supply.

**Engine:** Drives the high-pressure pump.

**High Pressure Hose:** Carries the pressurized water from the pump to the gun and spray wand.

**Spray Gun:** Connects with spray wand to control water flow rate, direction, and pressure.

**Chemical Hose:** Feeds cleaning agents into the pump to mix with the water. See How To Apply Chemicals/Cleaning Solvents instructions in this section.

**Quick Connect Nozzles:** Allow the user to quickly and easily change the degree of spray to fit the job at hand.

## BASIC ELEMENTS OF AN ENGINE

Refer to the engine manual for location and operation of engine controls.

**Choke Control:** Opens and closes carburetor choke valve.

**Starter Grip:** Pulling starter grip operates recoil starter to crank engine.

**Engine Switch:** Enables and disables ignition system

## PRESSURE WASHER TERMINOLOGY

**PSI:** Pounds per Square Inch. The unit of measure for water pressure. Also used for air pressure, hydraulic pressure, etc.

**GPM:** Gallons Per Minute. The unit of measure for the flow rate of water.

**CU:** Cleaning Units. GPM multiplied by PSI.  $GPM \times PSI = CU$

**Bypass Mode:** Allows water to re-circulate within the pump when the gun trigger is not pulled.

### CAUTION

Allowing the unit to run for more than two minutes without the gun trigger pulled could cause overheating and damage to the pump.

**Chemical Injection System:** Mixes cleaners or cleaning solvents with the water to improve cleaning effectiveness.

**Water Supply:** All pressure washers must have a source of water. The minimum requirements for a water supply are 20 PSI and 5 gallons per minute.

# OPERATING INSTRUCTIONS (CONT.)

• SAVE ALL INSTRUCTIONS

## PRESSURE WASHER OPERATING FEATURES PRESSURE ADJUSTMENTS

The pressure setting is preset at the factory to achieve optimum pressure and cleaning. If you need a lower pressure, it can be accomplished by these methods.

1. Back away from the surface to be cleaned. The further away you are, the less the pressure will be on the surface to be cleaned.
2. Change to the 40° nozzle – this nozzle delivers a less powerful stream of water and a wider spray pattern.

**CAUTION** DO NOT attempt to increase pump pressure. A higher pressure setting than the factory set pressure may damage pump.

## TO USE SPRAY WAND

The nozzles for the spray wand are stored on the top storage panel. See chart to choose the correct nozzle for the job to be performed.

## CHANGING NOZZLES ON SPRAY WAND

**⚠ DANGER RISK OF FLUID INJECTION.** Do NOT direct discharge stream toward persons, unprotected skin, eyes or any pets or animals. Serious injury will occur.

**⚠ WARNING RISK OF FLUID INJECTION.** Do NOT attempt to change nozzles while pressure washer is running. Turn engine off before changing nozzles.

1. Pull back the quick connect collar on the spray wand and hold it in place.
2. Insert the desired quick connect nozzle and hold in place.
3. Slide the quick connect collar forward until it locks into place.
4. Check that the quick connect nozzle is securely locked into the spray wand.

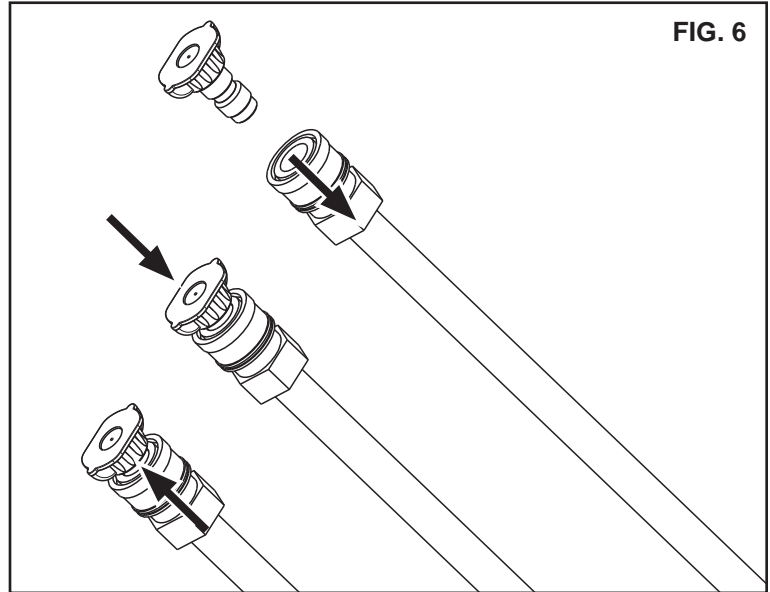


FIG. 6

	0°	15°	25°	40°	Soap
<b>Spray Pattern</b>					
<b>Uses</b>	Powerful pinpoint for very intensive cleaning	Intense cleaning of small areas	Intense cleaning of medium areas	Intense cleaning of larger areas	Applies cleaning solutions
<b>Surfaces*</b>	Metal or concrete DO NOT use on wood	Metal, concrete, or wood	Metal, concrete, or wood	Metal, concrete, or wood	Metal, concrete, or vinyl

\* **CAUTION** The high pressure spray from your pressure washer is capable of causing damage to surfaces such as wood, glass, automotive paint, auto striping and trim, and delicate objects such as flowers and shrubs. Before spraying, check the item to be cleaned to assure yourself that it is strong enough to resist damage from the force of the spray.



# OPERATING INSTRUCTIONS (CONT.)

• SAVE ALL INSTRUCTIONS

## HOW TO APPLY CHEMICALS AND CLEANING SOLVENTS

Applying chemicals or cleaning solvents is a low pressure operation.

**NOTE:** Use only soaps and chemicals designed for pressure washer use. DO NOT USE BLEACH.

### To Apply Chemicals:

1. Make sure the chemical hose is pressed onto the barbed fitting (G) located near high-pressure hose (E). (Fig. 7)
2. The other end of the chemical hose should be inserted into a chemical container containing the appropriate pressure washer cleaning solution.

**NOTE:** For approximately every 7 gallons of water pumped 1 gallon of chemical/cleaning solution will be used.

3. Insert soap nozzle (per previous chart) into spray wand, see Use Spray Wand paragraph in this section.

**NOTE:** Chemicals and soaps will not siphon when using any quick connect nozzle other than the black soap nozzle.

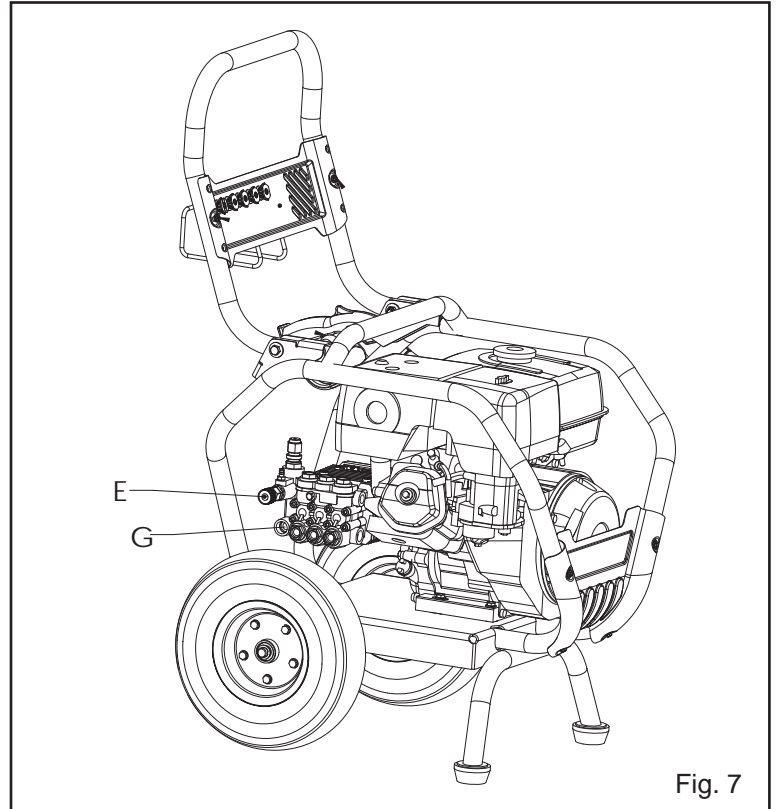


Fig. 7

**⚠ WARNING** To reduce the risk of injury, read the pressure washer instruction manual and the engine instruction manual before starting pressure washer.

**⚠ DANGER** RISK OF FLUID INJECTION AND LACERATION. When using the high-pressure setting, DO NOT allow the high-pressure spray to come in contact with unprotected skin, eyes, or with any pets or animals. Serious injury will occur.

- Your washer operates at fluid pressures and velocities high enough to penetrate human and animal flesh, which could result in amputation or other serious injury. Leaks caused by loose fittings or worn or damaged hoses can result in injection injuries. DO NOT TREAT FLUID INJECTION AS A SIMPLE CUT! See a physician immediately!

**⚠ WARNING** RISK OF FIRE, ASPHYXIATION AND BURN. NEVER fill fuel tank when engine is running or hot. Do not smoke when filling fuel tank.

- NEVER fill fuel tank completely. Fill tank to 1/2" below bottom of filler neck to provide space for fuel expansion. Wipe any fuel spillage from engine and equipment before starting engine.
- NEVER run engine in doors or in enclosed, poorly ventilated areas. Engine exhaust contains carbon monoxide, an odorless and deadly gas.
- DO NOT let hoses come in contact with very hot engine muffler during or immediately after use of your pressure washer. Damage to hoses from contact with hot engine surfaces will NOT be covered by warranty.

**CAUTION** RISK OF PROPERTY DAMAGE. NEVER pull water supply hose to move pressure washer. This could damage hose and/or pump inlet.

- DO NOT use hot water, use cold water only.
- NEVER turn water supply off while pressure washer engine is running or damage to pump will result.
- DO NOT stop spraying water for more than two minutes at a time. Pump operates in bypass mode when spray gun trigger is not pressed. If pump is left in bypass mode for more than two minutes internal components of the pump can be damaged.

If you do not understand these precautions, please call 1-888-895-4549 to speak to a service representative for further instructions

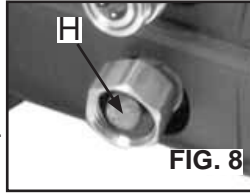
# OPERATING INSTRUCTIONS (CONT.)

• SAVE ALL INSTRUCTIONS

## STARTING

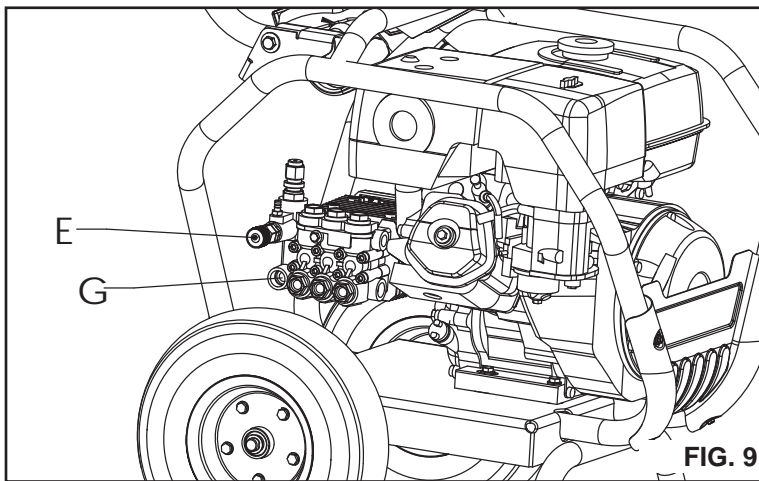
Prior to starting, refer to your engine manual for proper starting procedure.

1. In a well ventilated outdoor area add fresh, high quality, unleaded gasoline with a pump octane rating of 86 or higher. Do not overfill. Wipe up spilled fuel before starting the engine. Refer to Engine Owners Manual for correct procedure.
2. Check engine oil level. See Engine Owners Manual for correct procedure.
3. Check pump oil level. See "Maintenance" section in this manual.
4. Connect the water hose to the water source. Turn the water source on to remove all air from the hose. When a steady stream of water is present, turn the water source off.
5. Verify the filter screen (H) is in water inlet of pump. (Fig. 8)



**NOTE:** Cone side faces out.

6. Connect water source to pump inlet (G). **NOTE:** Water source must provide a minimum of 5 gallons per minute at 20 PSI. (Fig. 9)



**WARNING** To reduce the possibility of contamination always protect against back flow when connected to a portable water system.

7. Connect high pressure hose to pump outlet (E).
8. If applying a chemical or cleaning solution, see How To Apply Chemicals/Cleaning Solvents instructions in this section.

9. Insert the quick connect nozzle for the task being performed. See How To Use Wand instructions in this section.

10. Turn water source on.

**CAUTION** RISK OF PROPERTY DAMAGE. Failure to do so could cause damage to the pump.

11. Remove all air from the pump and high pressure hose by depressing trigger until a steady stream of water is present.
12. Start engine. See Engine Owners Manual for correct procedure.

**WARNING** RISK OF UNSAFE OPERATION. If engine does not start after two pulls, squeeze trigger of gun to relieve pump pressure. Pull starter cord slowly until resistance is felt. Then pull cord rapidly to avoid kickback and prevent hand or arm injury.

13. Depress trigger on gun to start water flow.

**WARNING** RISK OF UNSAFE OPERATION. Stand on a stable surface and grip gun/spray wand firmly with both hands. Expect the gun to kick when triggered.

14. Release trigger to stop water flow.

**DANGER** RISK OF INJURY FROM SPRAY. Always engage the trigger lock when gun is not in use. Failure to do so could cause accidental spraying.



## SHUTTING DOWN

1. After each use, if you have applied chemicals, draw clean water through chemical injection system to rinse system thoroughly.

**CAUTION** RISK OF PROPERTY DAMAGE. Failure to do so could cause damage to the pump.

2. Turn engine off. See Engine Owner's Manual.

**CAUTION** RISK OF PROPERTY DAMAGE. NEVER turn the water off with the engine running.

3. Turn water source off.
4. Pull trigger on spray gun to relieve any water pressure in hose or spray gun.
5. See Storage section in this manual for proper storage procedures.

# MAINTENANCE

• SAVE ALL INSTRUCTIONS

**⚠ WARNING RISK OF BURN HAZARD.** When performing maintenance, you may be exposed to hot surfaces, water pressure or moving parts that can cause serious injury or death.

**⚠ WARNING RISK OF FIRE HAZARD.** Always disconnect, spark plug wire, let the engine cool and release all water pressure before performing any maintenance or repair. The engine contains flammable fuel. Do not smoke or work near open flames while performing maintenance.

To ensure efficient operation and longer life of your pressure washer, a routine maintenance schedule should be prepared and followed. If the pressure washer is used in unusual conditions, such as high-temperatures or dusty conditions, more frequent maintenance checks will be required.

## ENGINE

Consult the Engine Owners Manual for the manufacturer's recommendations for any and all maintenance.

## PUMP

The pump on this unit requires oil. The recommended oil type to use is Commercial Tractor Fluid (Tractor Hydraulic Fluid). Pump oil capacity is 11 oz.

To check the oil, remove the dipstick located on top of the pump. The oil level should be between the max and min lines. Make sure the oil does not go below the min line.

To add oil, remove the dipstick and add oil until it is between the max and min line. Replace dipstick.

If there is a problem with the pump, contact an Authorized Service Center.



## NOZZLE CLEANING

If the nozzle becomes clogged with foreign materials, such as dirt, excessive pressure may develop. If the nozzle becomes partially clogged or restricted, the pump pressure will pulsate. Clean the nozzle immediately using the nozzle kit supplied and the following instructions:

1. Shut off the pressure washer and turn off the water supply.
2. Pull trigger on gun handle to relieve any water pressure.
3. Remove quick connect nozzle from the spray wand.
4. Remove any obstructions from the quick connect nozzle with the nozzle cleaning tool provided and flush with clean water.
5. Re-attach the quick connect nozzle to the spray wand and turn on the water supply.
6. Start pressure washer and test.

## HOW TO CLEAN THE WATER INLET FILTER

This screen filter should be checked periodically and cleaned if necessary.

1. **Remove filter** by grasping end and removing it from water inlet of pump as shown. (Fig. 11)

2. **Clean filter** by flushing it with water on both sides.

3. **Re-insert filter** into water inlet of pump.  
**NOTE:** Cone side faces out.

**NOTE:** Do not operate pressure washer without filter properly installed.

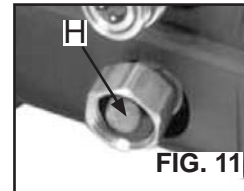


FIG. 11

## STORAGE

• SAVE ALL INSTRUCTIONS

## ENGINE

Consult the Engine Owners Manual for the manufacturer's recommendations for storage.

## PUMP

The manufacturer recommends using a pump protector/winterizer when storing the unit for more than 30 days and/or when freezing temperatures are expected. If a pump protector/winterizer is not available, RV antifreeze or windshield washer fluid needs to be run through the pump as outlined in the steps below.

**NOTE:** Using a pump protector/ winterizer, RV antifreeze or windshield washer fluid is to provide proper lubrication to the internal seals of the pump regardless of temperature or environment.

1. Obtain a funnel, 6 oz. of RV antifreeze or windshield washer fluid, and 16–36" of garden hose with a male hose connector attached to one end.

**CAUTION RISK OF PROPERTY DAMAGE.** Use only RV antifreeze. Any other antifreeze is corrosive and can damage pump.

2. **Disconnect spark plug wire.**
3. **Connect length of garden hose to water inlet of pump.**
4. **Add RV antifreeze** or windshield washer fluid to hose as shown. (Fig. 12)
5. **Pull engine starter rope slowly** several times until antifreeze/washer fluid comes out of high-pressure hose connection of pump.
6. **Remove garden hose** from water inlet of pump.
7. **Reconnect spark plug wire.**

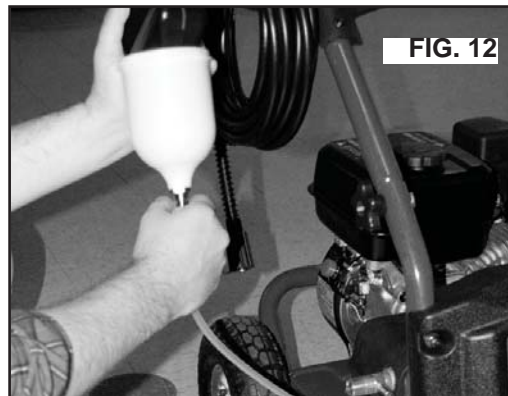


FIG. 12

# TROUBLESHOOTING GUIDE

• SAVE ALL INSTRUCTIONS

Problem	Cause	Correction
Engine will not start (see Engine Manual for further engine troubleshooting)	<ol style="list-style-type: none"> <li>1. No fuel</li> <li>2. Pressure builds up after two pulls on the recoil starter or after initial use.</li> <li>3. Choke lever in the "No Choke" position.</li> <li>4. Spark plug wire not attached.</li> <li>5. Engine ON/OFF switch in OFF position.</li> <li>6. Choke lever in the "Choke" position on a "hot" engine or an engine that has been exposed to thermal heat for a long period of time.</li> </ol>	<ol style="list-style-type: none"> <li>1. Add fuel.</li> <li>2. Squeeze gun trigger to relieve pressure.</li> <li>3. Move choke to the "Choke" position.</li> <li>4. Attach spark plug wire.</li> <li>5. Place engine ON/OFF switch in ON position.</li> <li>6. Move choke to the "No Choke" position.</li> </ol>
No or low pressure (initial use)	<ol style="list-style-type: none"> <li>1. High pressure nozzle is not installed.</li> <li>2. Low water supply.</li> <li>3. Leak at high pressure hose fitting.</li> <li>4. Nozzle obstructed.</li> <li>5. Water filter screen clogged.</li> <li>6. Air in hose.</li> <li>7. Choke lever in the "Choke" position.</li> <li>8. High pressure hose is too long.</li> </ol>	<ol style="list-style-type: none"> <li>1. See How to Use Spray Wand instructions in the Operation Section.</li> <li>2. Water supply must be at least 5 GPM @ 20 PSI.</li> <li>3. Repair leak. Apply sealant tape if necessary.</li> <li>4. See Nozzle Cleaning instructions in the Maintenance section.</li> <li>5. Remove and clean filter.</li> <li>6. Turn off the engine, then the water source. Disconnect the water source from the pump inlet and turn the water source on to remove all air from hose. When there is a steady stream of water present, turn water source off. Reconnect water source to pump inlet and turn on water source. Squeeze trigger to remove remaining water.</li> <li>7. Move choke to the "No Choke" position.</li> <li>8. Use high pressure hose under 100 feet.</li> </ol>
Will not draw chemicals	<ol style="list-style-type: none"> <li>1. Low pressure soap nozzle not installed.</li> <li>2. Chemical filter clogged.</li> <li>3. Chemical screen not in cleaning solution.</li> <li>4. Chemical too thick.</li> <li>5. Pressure hose too long.</li> <li>6. Chemical build up in chemical injector.</li> </ol>	<ol style="list-style-type: none"> <li>1. See How to Use Spray Wand paragraph in the Operation Section.</li> <li>2. Clean filter.</li> <li>3. Make sure end of chemical hose is fully submerged into cleaning solution.</li> <li>4. Dilute chemical. Chemical should be in the same consistency as water.</li> <li>5. Lengthen water supply hose instead of high pressure hose.</li> <li>6. Have parts cleaned or replaced by AWSC.</li> </ol>
No or low pressure (after period of normal use)	<ol style="list-style-type: none"> <li>1. Worn seal or packing.</li> <li>2. Worn or obstructed valves.</li> <li>3. Worn unloader piston.</li> </ol>	<ol style="list-style-type: none"> <li>1. Have replaced by AWSC.</li> <li>2. Have replaced by AWSC.</li> <li>3. Have replaced by AWSC.</li> </ol>
Water leaking at gun/spray wand connection	<ol style="list-style-type: none"> <li>1. Worn or broken O-ring.</li> <li>2. Loose hose connection.</li> </ol>	<ol style="list-style-type: none"> <li>1. Check and replace.</li> <li>2. Tighten.</li> </ol>
Water leaking at pump	<ol style="list-style-type: none"> <li>1. Loose connections.</li> <li>2. Piston packing worn.</li> <li>3. Worn or broken O-rings.</li> <li>4. Pump head or tubes damaged from freezing.</li> </ol>	<ol style="list-style-type: none"> <li>1. Tighten.</li> <li>2. Have replaced by AWSC.</li> <li>3. Have replaced by AWSC.</li> <li>4. Have replaced by AWSC.</li> </ol>
Pump Pulsates	<ol style="list-style-type: none"> <li>1. Nozzle obstructed.</li> </ol>	<ol style="list-style-type: none"> <li>1. See Nozzle Cleaning paragraph in the Maintenance section for the correct procedure.</li> </ol>

AWSC= Authorized Warranty Service Center

## REPAIRS

• SAVE ALL INSTRUCTIONS

To assure product SAFETY and RELIABILITY, repairs, maintenance and adjustment should be performed by an Authorized Warranty Service Center. Always use identical replacement parts. For the location of the nearest Authorized Warranty Service Center call 1-888-895-4549 or visit our website [www.powermate.com](http://www.powermate.com).

# LIMITED WARRANTY

- SAVE ALL INSTRUCTIONS

## WARRANTY COVERAGE: MAT Industries, LLC (the Company)

Warrants to the original retail customer in North America that it will repair or replace, free of charge, any parts found by the Company or its authorized service representative to be defective in material or workmanship. This warranty covers the cost of replacement parts and labor for defects in material or workmanship.

## NOT COVERED

- Transportation charges for sending the product to the Company or its authorized service representative for warranty service, or for shipping repaired or replacement products back to the customer; these charges must be borne by the customer.
- Engine may be covered exclusively by a separate warranty from the engine manufacturer as set forth in the engine Manual (if included).
- Damages caused by abuse or accident, and the effects of corrosion, erosion and normal wear and tear.

- Warranty is void if the customer fails to maintain and operate the product as instructed and recommended by the Company in the owner's manual.
- Warranty applies only if the product is used solely for consumer applications, and does not apply if the product is used for commercial or business applications, or as rental equipment.
- The Company will not pay for repairs or adjustments to the product, or for any costs or labor, performed without the Company's prior authorization.

## WARRANTY PERIOD

Two (2) year from the date of purchase. For warranty service, the customer must provide dated proof of purchase and must notify the Company within the warranty period.

**For warranty service: Call toll free 888-895-4549, or write to Sanborn Manufacturing Co., Product Services, 118 West Rock Street, P. O. Box 206, Springfield, MN 56087.**

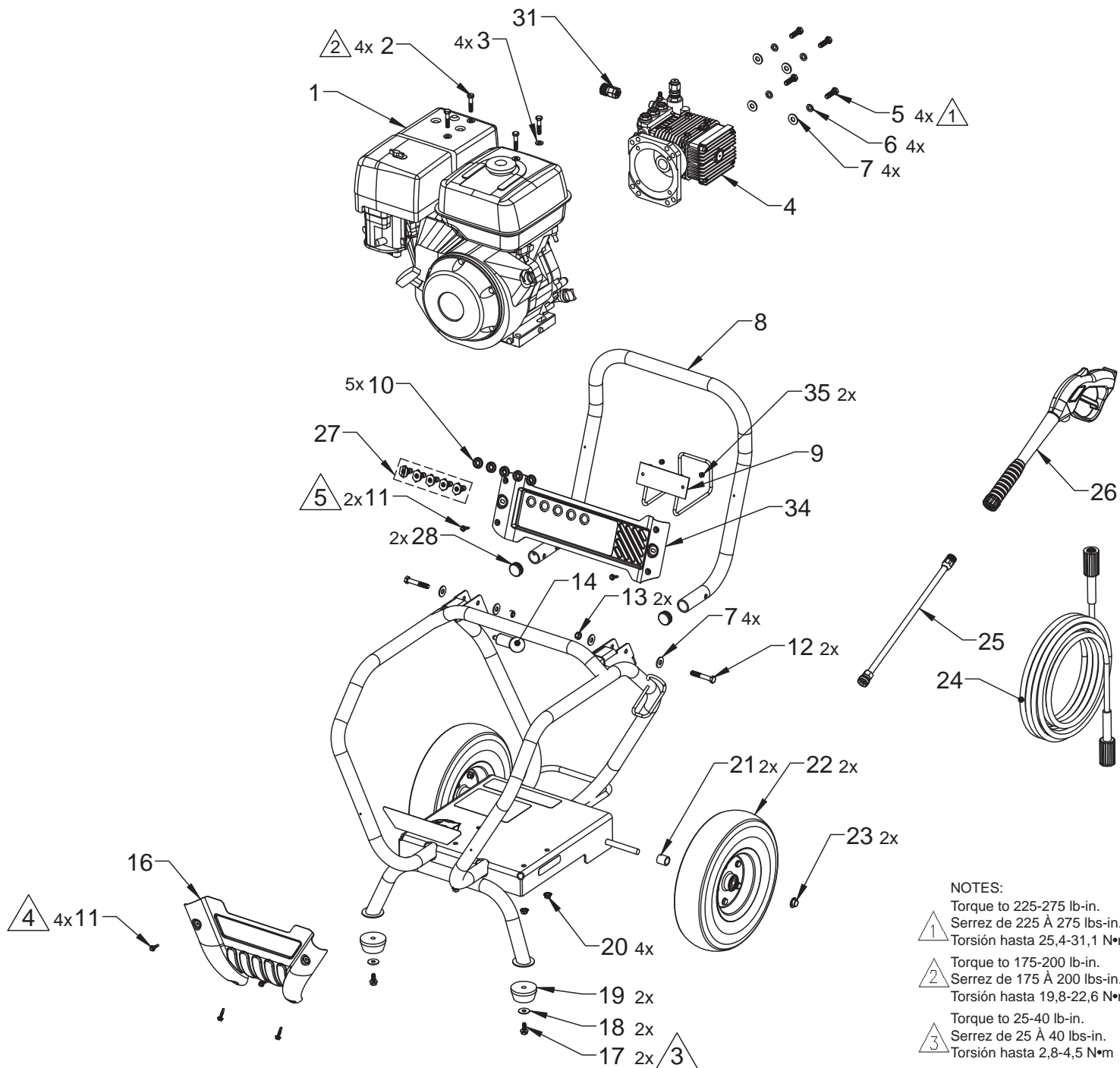
## EXCLUSIONS AND LIMITATIONS

THE COMPANY MAKES NO OTHER WARRANTY OF ANY KIND, EXPRESS OR IMPLIED. IMPLIED WARRANTIES, INCLUDING WARRANTIES OF MERCHANTABILITY AND OF FITNESS FOR A PARTICULAR PURPOSE, ARE HEREBY DISCLAIMED. THE WARRANTY SERVICE DESCRIBED ABOVE IS THE EXCLUSIVE REMEDY UNDER THIS WARRANTY; LIABILITY FOR INCIDENTAL AND CONSEQUENTIAL DAMAGES IS EXCLUDED TO THE EXTENT PERMITTED BY LAW.

This warranty gives you specific legal rights, and you may also have other rights which vary from state to state. Some states do not allow a disclaimer of implied warranties, or the exclusion or limitation of incidental and consequential damages, so the above disclaimers and exclusions may not apply to you.

# PARTS LIST & EXPLODED VIEW

PRESSURE WASHER PWZC164000



**NOTES:**

- 1** Torque to 225-275 lb-in.  
 Serrez de 225 À 275 lbs-in.  
 Torsión hasta 25,4-31,1 N•m
- 2** Torque to 175-200 lb-in.  
 Serrez de 175 À 200 lbs-in.  
 Torsión hasta 19,8-22,6 N•m
- 3** Torque to 25-40 lb-in.  
 Serrez de 25 À 40 lbs-in.  
 Torsión hasta 2,8-4,5 N•m
- 4** Torque to 20-25 lb-in.  
 Serrez de 20 À 25 lbs-in.  
 Torsión hasta 2,3-2,8 N•m
- 5** Torque to 10-15 lb-in.  
 Serrez de 10 À 15 lbs-in.  
 Torsión hasta 1,1-1,7 N•m

# PARTS LIST & EXPLODED VIEW

## PRESSURE WASHER PWZC164000

ITEM ART	PART # N° / P NÚM / P	QTY. QTÉ CANT	DESCRIPTION	DESCRIPTION	DESCRIPCÓN
1	025-0096	1	Engine	Moteur	Motor
2	N/A	4	Bolt, 5/16NC HHCS X1 1/2	Boulon	Perno
3	N/A	4	Washer, flat 5/16	Rondelle	Arandela
4	040-0437	1	Pump assy	Ensemble du pompe	Conjunto de bomba
5	N/A	4	Bolt, 3/8-16 UNC X 1.375"	Boulon	Perno
6	N/A	4	Washer, lock, 3/8	Rondelle	Arandela
7	N/A	8	Washer, flat, 3/8	Rondelle	Arandela
8	114-0779	1	Handle	Poignée	Empuñadura
9	114-0780	1	Hose hook	Crochet pour tuyau	Manguera gancho
10	093-0103	5	Grommet, .45 ID X .94 OD X .31	Grommet	Ojal
11	N/A	6	Screw #10 X 1	Vis	Tornillo
12	N/A	2	Bolt, 3/8"-16 x 2.25"	Boulon	Perno
13	N/A	2	Nut, nyloc 3/8-16	Écrou	Tuerca
14	107-0077	1	Pin assy	Assemblée Pin	Ensamblaje
15	114-0770	1	Frame	Frame	Marco
16	115-0546	1	Panel	Panneau	El panel
17	N/A	2	Screw-5/16"-18 self tapping	Vis	Tornillo
18	N/A	2	Washer, fender, 5/16" ID X 1" OD	Rondelle	Arandela
19	094-0186	2	Vibration pad	Tampon	Almohadilla
20	N/A	4	Nut 5/16-18	Écrou	Tuerca
21	110-0063	2	Wheel spacer	Entretoise de roue	Rueda espaciador
22	095-0084	2	Wheel, 12" flat free, 1/2" bore	Roue	Rueda
23	033-0001	2	Hub cap 1/2"	Chapeau de moyeu	Tapacubo
24	012-0168	1	Hose, 4000 PSI 3/8 X 50'	Tuyau	Manguera
25	145-0651	1	Lance, 28"	Lance	Lance
26	010-0030	1	Gun, 4000 PSI	Gun	Pistola
27	57835	1	Nozzle pack, 5 tips	Pack buse	Boquilla paquete
28	077-0179	2	Plastic cap 1.25"	Cap	Cap
29	57700	1	Chemical filter	Filtre chimique	Filtro químico
30	57701	1	Chemical hose, 1/4 ID 36"	Boyau de produit chimique	Química de la manguera
31	036-0109	1	Quick coupler	Acoplador rápido	Raccord rapide
32	098-4392	1	Warning label (not shown)	D'avertissement étiquette	Etiqueta de advertencia
33	098-4394	1	Warning label (not shown)	D'avertissement étiquette	Etiqueta de advertencia
34	115-0548	1	Nozzle panel (includes item 35)	Panneau de tuyère (inclut l'article 35)	Boquilla del panel (incluye el artículo 35)
35	N/A	2	Nut, #10-24	Écrou	Tuerca

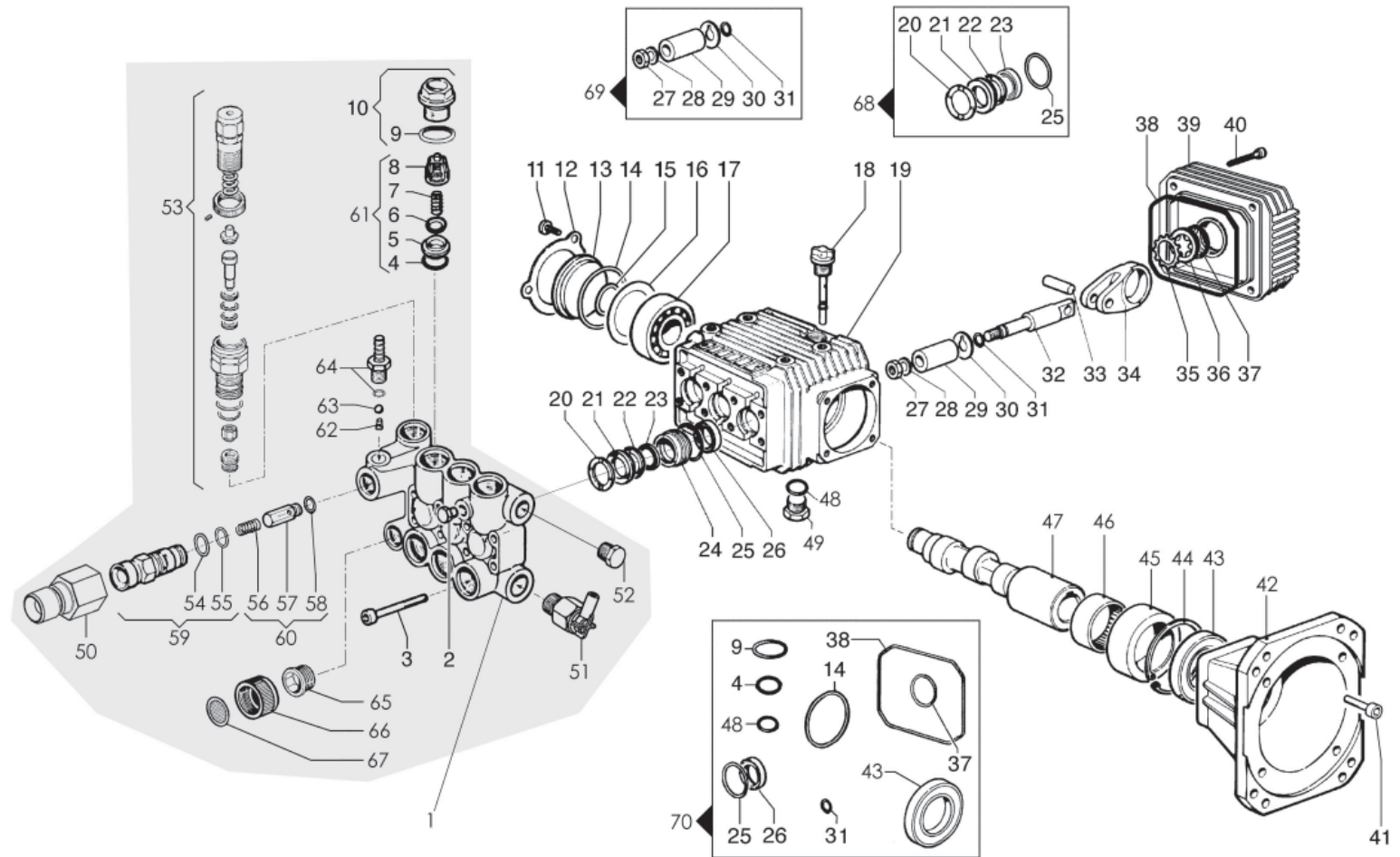
\*N/A - These are standard parts available at your local hardware store.

\*N/A - Estas son piezas estándar disponibles en su ferretería local.

\*N/A - Ces pièces sont des pièces standard disponibles en quincaillerie.

# PARTS LIST & EXPLODED VIEW

## PRESSURE WASHER ITEM # 040-0437 - PUMP



ITEM ART	PART # N° / P NÚM / P	QTY. QTÉ CANT	DESCRIPTION	DESCRIPTION	DESCRIPCÓN
1	042-0134	1	Pump head (includes entire gray area)	Tête de pompe	Cabeza de bomba
2	062-0072	1	Plug	Bouchon	Tapón
3		8	Screw	Vis	Tornillo
4		6	O-Ring	Joint torique	Anillo tórico
5		6	Suct./Del. Valve Seat	Siège de valve	Asiento de válvula
6		6	Suct./Del. Valve	Soupape	Válvula
7		6	Spring	Ressort	Resorte
8		6	Suct./Del. Valve Cage	Camp de valve	Jaula de la válvula
9		6	O-Ring	Joint torique	Anillo tórico
10	062-0071	6	Plug and O-Ring	Bouchon et joint torique	Tapón y anillo tórico
11		3	Screw	Vis	Tornillo
12		1	Crankcase Flange	Bride de carter de vilebrequin	Reborde del cárter del motor
13		1	Alluminum Cover	Couverture	Cubierta
14		1	O-Ring	Joint torique	Anillo tórico
15		1	Ring	Segment	Anillo
16		1	Spacer	Entretoise	Espaciador
17		1	Ball Bearing	Roulement	Cojinete
18	056-0095	1	Oil Dipstick	Jaugeur d'huile	Varilla graduada del aceite
19		1	Housing	Corps	Compartimiento



# PARTS LIST & EXPLODED VIEW

## PRESSURE WASHER ITEM # 040-0437 - PUMP

ITEM ART	PART # N° / P NUM / P	QTY. QTÉ CANT	DESCRIPTION	DESCRIPTION	DESCRIPCÓN
20		3	Packing Head Ring	Segment	Anillo
21		3	Packing	Emballage	Embalaje
22		3	Back Ring	Segment	Anillo
23		3	Packing	Emballage	Embalaje
24		3	Packing Retainer	Arrêtoir	Detenedor
25		3	O-Ring	Joint torique	Anillo tórico
26		3	Oil Seal	Joint	Sello de aceite
27		3	Bolt	Boulon	Perno
28		3	Washer	Rondelle	Arandela
29		3	Ceramic Bushing	Douille	Buje
30		3	Washer	Rondelle	Arandela
31		3	O-Ring	Joint torique	Anillo tórico
32		3	Piston Guides	Guides de piston	Guías del pistón
33		3	Gudgeon Pin	Pin	Pin
34		3	Con. Rod Assembly	Assemblée de bielle	Asamblea de biela
35		1	Outer Seeger	Agrafe	Clip
36		1	Oil Indicator	Indicateur d'huile	Indicador del aceite
37		1	O-Ring	Joint torique	Anillo tórico
38		1	O-Ring	Joint torique	Anillo tórico
39		1	Cover	Couverture	Cubierta
40		4	Screw	Vis	Tornillo
41		4	Screw	Vis	Tornillo
42		1	Flange	Bride	Reborde
43		1	Oil Seal	Joint	Sello de aceite
44		1	Inner Seeger	Agrafe	Clip
45		1	Bushing	Douille	Buje
46		1	Bearing	Roulement	Cojinete
47		1	Eccentric Shaft	Arbre	Túnel
48		1	O-Ring	Joint torique	Anillo tórico
49	077-0202	1	Cap	Chapeau	Casquillo
50	036-0113	1	Suction Coupling	Accouplement	Acoplador
51		1	Thermo Valve Coupling	Accouplement	Acoplador
52	077-0201	1	Conical Cap	Chapeau	Casquillo
53	043-0226	1	Reg. Valve Kit + Seat	Kit de valve de régulateur	Kit de la válvula del regulador
54		1	O-Ring	Joint torique	Anillo tórico
55		1	O-Ring	Joint torique	Anillo tórico
56		1	Spring	Ressort	Resorte
57		1	Check Valve	Clapet anti-retour	Válvula de cheque
58		1	O-Ring	Joint torique	Anillo tórico
59	031-0098	1	Injector Body	Injecteur	Inyector
60	031-0099	1	Check Valve Kit	Kit de clapet anti-retour	Kit de la válvula de cheque
61	043-0227	6	Valves Kit	Jeu de Soupapes	Juego de Válvulas
62	055-0084	1	Detergent Spring	Ressort	Resorte
63	079-0021	1	Detergent Ball	Balle	Pelota
64	036-0112	1	Hose nipple	Manchon fileté	Niple
65	068-0102	1	Suction fitting	Raccord de succion	Adaptador de succión
66	058-0183	1	Wing Nut	Écrou	Tuerca
67	118-0036	1	Water Filter	Filtre	Filtro
68	046-0334	1	Water Seal Kit	Jeu de Joints l'eau	Juego de Sello del agua
69	048-0134	1	Piston Kit	Jeu de Piston	Juego de Pistón
70	046-0335	1	Oil Seal Kit	Jeu de Joints l'eau	Juego de Sello del agua

# LAVEUSE À PRESSION GUIDE D'UTILISATION

pour modèle PWZC164000

Inscrivez tous les renseignements et agrafez le reçu de  
caisse ici pour références futures :

Date d'achat : \_\_\_\_\_

N° de série : \_\_\_\_\_

### Questions? 1-888-895-4549

Apprenez encore plus en ce qui concerne votre laveuse à pression, obtenez des réponses aux questions les plus fréquentes et enregistrez votre produit en ligne à  
[www.powermate.com](http://www.powermate.com)



## TABLE DES MATIÈRES

Mesures de sécurité/Définitions .....	19	Entretien .....	28
Renseignements sur la sécurité du consommateur .....	19	Entreposage .....	28
Mesures de sécurité importantes .....	19-22	Réparations .....	29
Fiche Technique .....	22	Guide de dépannage .....	29
Contenu de la boîte .....	22	Liste - Pièces et Diagramme Éclaté .....	14-17
Instructions d'assemblage .....	23	Garantie .....	30
Instructions d'utilisation .....	24-27	English .....	1-17
		Español .....	31-43

**IMPORTANT:** Assurez-vous que toute personne qui utilisera cet équipement lise attentivement ces instructions avant de l'utiliser.

## MESURES DE SÉCURITÉ – DÉFINITIONS

### • CONSERVER TOUTES LES INSTRUCTIONS

Ce guide contient des renseignements importants que vous deviez bien saisir. Cette information porte sur VOTRE SÉCURITÉ et sur LA PRÉVENTION DE PROBLÈMES D'ÉQUIPEMENT. Afin de vous aider à identifier cette information, nous avons utilisé les symboles ci-dessous. Veuillez lire attentivement ce guide en portant une attention particulière à ces symboles.

<b>⚠ DANGER</b> Indique un danger imminent qui, s'il n'est pas évité, CAUSERA DE GRAVES BLESSURES OU LA MORT.	<b>⚠ ATTENTION</b> Indique la possibilité d'un danger qui, s'il n'est pas évité, PEUT causer DES BLESSURES MINEURES OU MOYENNES.
<b>⚠ AVERTISSEMENT</b> Indique la possibilité d'un danger qui, s'il n'est pas évité, POURRAIT CAUSER DE GRAVES BLESSURES OU LA MORT.	<b>ATTENTION</b> Sans le symbole d'alerte. Indique la possibilité d'un danger qui, s'il n'est pas évité, PEUT causer DES DOMMAGES À LA PROPRIÉTÉ.

## RENSEIGNEMENTS SUR LA SÉCURITÉ DU CONSOMMATEUR

### • CONSERVER TOUTES LES INSTRUCTIONS

**⚠ AVERTISSEMENT** Il se peut que ce produit ne soit pas équipé d'un silencieux à pare-étincelles. Si le produit n'en est pas équipé, et s'il est utilisé près de matériaux inflammables ou sur de la terre couverte de produits agricoles, forêts, broussailles, gazon ou autres articles semblables, un pare-étincelles approuvé doit être posé, et est exigé par la loi en Californie. Selon la section 130050 de la loi de la Californie, et les sections 4442 et 4443 du Code sur les ressources publiques de la Californie, ce produit ne peut pas être utilisé en Californie, à moins que le moteur ne soit équipé d'un pare-étincelles, tel que décrit dans la section 4442, et à moins que l'appareil ne soit maintenu en bon état de fonctionnement. Des pare-étincelles sont également requis sur certaines terres forestières des États-Unis et peuvent être exigés légalement sous certains autres lois et arrêtés.

### **⚠ AVERTISSEMENT** CALIFORNIE PROPOSITION 65 AVERTISSEMENT

Ce produit contient des produits chimiques connus de l'État de Californie comme causant des cancers, des anomalies congénitales et/ou présentant des dangers pour la reproduction.

## MESURES DE SÉCURITÉ IMPORTANTES

### • CONSERVER TOUTES LES INSTRUCTIONS

**⚠ AVERTISSEMENT** N'utilisez pas cet appareil avant d'avoir lu et compris les instructions sur la sécurité, l'utilisation et l'entretien de ce Guide de l'utilisateur et du Guide du propriétaire du moteur.

#### LISEZ ET CONSERVEZ CES INSTRUCTIONS



### **⚠ DANGER** RISQUE D'EXPLOSION OU D'INCENDIE

CE QUI PEUT SE PRODUIRE	COMMENT L'ÉVITER
<ul style="list-style-type: none"><li>• Les cigarettes, étincelles, arc électrique, gaz d'échappement et des parties chaudes du moteur telles qu'un silencieux peuvent enflammer l'essence déversée et ses vapeurs.</li></ul>	<ul style="list-style-type: none"><li>• Éteindre le moteur et le laisser refroidir avant de remplir le réservoir d'essence.</li><li>• Être attentif et éviter de déverser de l'essence lors du remplissage du réservoir. Éloigner la laveuse haute pression de la zone de ravitaillement avant de démarrer le moteur.</li></ul>
<ul style="list-style-type: none"><li>• Le combustible du réservoir se dilate sous l'effet de la chaleur et pourrait se solder par un déversement et un incendie ou une explosion.</li></ul>	<ul style="list-style-type: none"><li>• Laisser environ 127 mm (1/2 po) de dégagement sous le bord du goulot de remplissage pour permettre l'expansion de l'essence.</li></ul>
<ul style="list-style-type: none"><li>• Le fonctionnement de la laveuse haute pression dans un milieu explosif pourrait se solder par un incendie.</li></ul>	<ul style="list-style-type: none"><li>• Utiliser et faire le plein d'essence de l'équipement dans des zones bien dégagées de tout obstacle. Installer un extincteur adéquat dans les zones de travail pour combattre les incendies à base d'essence.</li></ul>
<ul style="list-style-type: none"><li>• Du matériel déposé contre ou près de la laveuse haute pression peut interférer avec les fonctionnalités d'aération de l'équipement et provoquer une surchauffe et l'allumage du matériel (risque d'incendie).</li></ul>	<ul style="list-style-type: none"><li>• Ne jamais utiliser la laveuse haute pression dans une zone avec arbustes ou broussailles secs.</li></ul>

# MESURES DE SÉCURITÉ IMPORTANTES (SUITE)

• CONSERVER TOUTES LES INSTRUCTIONS

## DANGER RISQUE D'EXPLOSION OU D'INCENDIE (SUITE)

CE QUI PEUT SE PRODUIRE	COMMENT L'ÉVITER
<ul style="list-style-type: none"> <li>• La chaleur de l'échappement du silencieux peut endommager des surfaces peintes, faire fondre tout type de matériel sensible à la chaleur (comme du revêtement extérieur, plastique, caoutchouc, vinyle ou même le tuyau haute pression) et nuire aux plantes vivantes.</li> </ul>	<ul style="list-style-type: none"> <li>• Toujours éloigner la laveuse haute pression d'au moins 1,2 m (4 pi) de toutes surfaces (telles que des maisons, voitures, ou des plantes vivantes) qui pourraient être endommagées par la chaleur s'échappant du silencieux.</li> </ul>
<ul style="list-style-type: none"> <li>• De l'essence mal entreposée pourrait provoquer un allumage (incendie) accidentel. Ranger l'essence de façon sécuritaire pour en empêcher l'accès aux enfants et à toutes autres personnes non qualifiées.</li> </ul>	<ul style="list-style-type: none"> <li>• Entreposer l'essence dans un contenant homologué par la Loi sur la santé et la sécurité du travail dans un emplacement sécuritaire loin de la zone de travail.</li> </ul>
<ul style="list-style-type: none"> <li>• L'utilisation d'acides, de produits chimiques toxiques ou corrosifs, de poisons, d'insecticides ou de toute sorte de solvant inflammable dans ce produit pourrait provoquer des blessures graves ou la mort.</li> </ul>	<ul style="list-style-type: none"> <li>• Ne pas vaporiser des liquides inflammables.</li> </ul>



## DANGER RISQUE D'ASPHYXIE

CE QUI PEUT SE PRODUIRE	COMMENT L'ÉVITER
<ul style="list-style-type: none"> <li>• Respirer les vapeurs d'échappement provoquera de graves blessures voire, un décès ! Les gaz d'échappement des moteurs contiennent du monoxyde de carbone, un gaz inodore et mortel.</li> </ul>	<ul style="list-style-type: none"> <li>• Utiliser la laveuse haute pression dans une zone bien aérée. Éviter les endroits clos comme les garages, les sous-sols, etc.</li> <li>• Ne jamais utiliser l'appareil dans un endroit habité par des hommes ou des animaux.</li> </ul>
<ul style="list-style-type: none"> <li>• Certains liquides nettoyants contiennent des substances pouvant provoquer des blessures à la peau, aux yeux ou au système respiratoire.</li> </ul>	<ul style="list-style-type: none"> <li>• Utiliser uniquement des liquides nettoyants spécialement recommandés pour les laveuses haute pression. Suivre les recommandations des fabricants. Ne pas utiliser de produit à blanchir au chlore ou tout autre composé corrosif.</li> </ul>



## DANGER RISQUE D'INJECTION ET DE LACÉRATION

CE QUI PEUT SE PRODUIRE	COMMENT L'ÉVITER
<ul style="list-style-type: none"> <li>• Votre laveuse haute pression fonctionne à des pressions de liquides et des vitesses suffisamment élevées pour pénétrer la peau de l'homme et animale, ce qui pourrait se solder par une amputation ou autre blessure grave. Des fuites provoquées par des raccords lâches ou des tuyaux usés ou endommagés peuvent se solder par des blessures par injection. NE PAS TRAITER UN INJECTION DE LIQUIDE COMME UNE SIMPLE COUPURE ! Consulter un médecin immédiatement !</li> </ul>	<ul style="list-style-type: none"> <li>• Inspecter périodiquement le tuyau haute pression. Remplacer immédiatement le tuyau s'il est endommagé, usé, s'il a fondu en contact avec le moteur ou s'il démontre un signe de fissure, des bulles, des trous d'épingle ou tout autre fuite. Ne jamais saisir un tuyau haute pression qui fuit ou est endommagé.</li> <li>• Ne jamais toucher, saisir ou essayer de couvrir un trou minuscule ou tout autre fuite similaire sur le tuyau haute pression.</li> <li>• Le jet d'eau EST sous haute pression et PÉNÉTRERA la peau.</li> <li>• Ne jamais mettre les mains devant l'embouchure.</li> <li>• Éloigner le jet, ne pas le diriger vers soi-même ou autrui.</li> <li>• S'assurer que le tuyau et les raccords sont serrés et en bon état. Ne jamais s'agripper au tuyau ou aux raccords en cours de fonctionnement.</li> <li>• Ne pas mettre le tuyau en contact avec le silencieux.</li> <li>• Ne jamais attacher ou retirer le tube ou les raccords du tuyau avec le système sous pression.</li> </ul>
<ul style="list-style-type: none"> <li>• Il y a risque de blessures si la pression n'est pas réduite avant d'essayer de procéder à un entretien ou un démontage.</li> </ul>	<ul style="list-style-type: none"> <li>• Pour décompresser le système, éteindre le moteur, fermer l'alimentation en eau et enclencher la détente du pistolet jusqu'à l'arrêt complet de l'écoulement d'eau.</li> <li>• Utiliser uniquement des tuyaux et accessoires classés pour des pressions plus élevées que le PSI de la laveuse haute pression.</li> </ul>



## DANGER RISQUE DE BLESSURE PAR JET

CE QUI PEUT SE PRODUIRE	COMMENT L'ÉVITER
<ul style="list-style-type: none"> <li>• Un jet de liquide à haute vitesse peut briser des objets et projeter les éclats à haute vitesse.</li> <li>• Des objets légers ou mal fixés peuvent se transformer en projectiles dangereux.</li> </ul>	<ul style="list-style-type: none"> <li>• Toujours porter des lunettes de sécurité conformes à la norme ANSI Z87.1. Porter des vêtements protecteurs pour se protéger de jets accidentels.</li> <li>• Ne jamais diriger la lance ou le jet vers une personne ou des animaux.</li> <li>• Toujours fixer solidement le verrou de la détente lorsque le tube pulvérisateur est inutilisé pour empêcher tout fonctionnement accidentel.</li> <li>• Ne jamais fixer, de façon permanente, la détente en position arrière (ouverte).</li> </ul>

# MESURES DE SÉCURITÉ IMPORTANTES (SUITE)

• CONSERVER TOUTES LES INSTRUCTIONS



## **DANGER** RISQUE D'UTILISATION DANGEREUSE

CE QUI PEUT SE PRODUIRE	COMMENT L'ÉVITER
<ul style="list-style-type: none"> <li>• Une utilisation dangereuse de la laveuse haute pression pourrait provoquer de graves blessures, voire son propre décès ou celle d'autres personnes.</li> </ul>	<ul style="list-style-type: none"> <li>• Ne pas utiliser de produit à blanchir au chlore ou tout autre composé corrosif.</li> <li>• Se familiariser avec le fonctionnement et les commandes de la laveuse haute pression.</li> <li>• Tenir la zone de travail exempte de toutes personnes, animaux et obstacles.</li> <li>• Ne pas utiliser le produit en cas de fatigue ou sous l'emprise d'alcool ou de drogues. Rester vigilant en tout temps.</li> <li>• Ne jamais rendre inopérants les caractéristiques de sécurité du produit.</li> <li>• Ne pas utiliser l'appareil avec des pièces manquantes, brisées ou non autorisées.</li> <li>• Ne jamais laisser le tube pulvérisateur sans surveillance lors du fonctionnement de l'appareil.</li> </ul>
<ul style="list-style-type: none"> <li>• Suivre la procédure de démarrage correcte pour éviter l'effet de rebond moteur qui provoquerait ainsi une blessure grave à la main ou au bras..</li> </ul>	<ul style="list-style-type: none"> <li>• Si le moteur ne démarre pas après deux tentatives, appuyer sur la détente du pistolet pour décompresser la pompe. Tirer délicatement la corde du démarreur jusqu'à obtention d'une résistance. Puis tirer rapidement sur celui-ci pour éviter l'effet de rebond moteur et empêcher toute blessure à la main ou au bras.</li> </ul>
<ul style="list-style-type: none"> <li>• Le pistolet et le tube de pulvérisation sont des outils de nettoyage puissants qui ressemblent à un jouet pour un enfant.</li> </ul>	<ul style="list-style-type: none"> <li>* Garder la laveuse haute pression hors de portée des enfants en tout temps.</li> </ul>
<ul style="list-style-type: none"> <li>• Le pistolet et le tube de pulvérisation réagissent à la pression du jet et provoqueront un effet de rebond qui pourrait faire glisser, ou tomber, l'opérateur ou rediriger le jet. Une maîtrise imparfaite du pistolet et de la lance peut provoquer des blessures à soi-même et à autrui.</li> </ul>	<ul style="list-style-type: none"> <li>• Ne pas trop tendre les bras ou se tenir debout sur une surface instable.</li> <li>• Ne pas utiliser une laveuse haute pression debout sur une échelle.</li> <li>• Saisir solidement à deux mains le pistolet/tube de pulvérisation.</li> <li>• S'attendre à un effet de rebond lors de l'enclenchement de la détente.</li> </ul>

## **DANGER** RISQUE DE BLESSURE OU DE DOMMAGE À LA PROPRIÉTÉ LORS DU TRANSPORT OU DU RANGEMENT



CE QUI PEUT SE PRODUIRE	COMMENT L'ÉVITER
<ul style="list-style-type: none"> <li>• Il y a un risque de fuite ou de déversement d'essence ou d'huile qui pourrait se solder par un incendie ou des problèmes respiratoires, des blessures graves, voire la mort. Des fuites d'essence ou d'huile endommageront les tapis, peinture ou toutes autres surfaces de véhicules ou de remorques.</li> </ul>	<ul style="list-style-type: none"> <li>• Si la laveuse haute pression est dotée d'une soupape d'arrêt, FERMER la soupape d'arrêt avant le transport pour éviter toute fuite d'essence. S'il n'y a pas de soupape d'arrêt, purger l'essence du réservoir avant le transport. Transporter l'essence uniquement dans un contenant homologué par la Loi sur la santé et la sécurité du travail. Toujours installer la laveuse haute pression sur un revêtement protecteur lors du transport pour protéger le véhicule de tout dommage de fuites. Retirer immédiatement la laveuse haute pression du véhicule dès l'arrivée à destination.</li> </ul>



## **AVERTISSEMENT** ATTENTION SURFACES CHAUDES

CE QUI PEUT SE PRODUIRE	COMMENT L'ÉVITER
<ul style="list-style-type: none"> <li>• Le contact de surfaces chaudes comme les composants d'échappement moteur, pourrait provoquer des brûlures graves</li> </ul>	<ul style="list-style-type: none"> <li>• En cours de fonctionnement, ne toucher que les surfaces de commande de la laveuse haute pression. Tenir en tout temps les enfants à l'écart de la laveuse haute pression. Ils n'ont pas assez de jugement pour reconnaître les dangers inhérents au produit.</li> </ul>



## **AVERTISSEMENT** RISQUE DE BRÛLURE CHIMIQUE

CE QUI PEUT SE PRODUIRE	COMMENT L'ÉVITER
<ul style="list-style-type: none"> <li>• L'utilisation d'acides, de produits chimiques toxiques ou corrosifs, de poisons, d'insecticides, ou de tout type de solvant inflammable avec le produit risque de se solder par des blessures graves, voire la mort.</li> </ul>	<ul style="list-style-type: none"> <li>• Ne pas utiliser d'acides, d'essence, de kérosène ou tout autre matériel inflammable avec ce produit. Utiliser uniquement des détergents domestiques, des nettoyants et dégraissants recommandés pour les laveuses haute pression. and degreasers recommended for use in pressure washers.</li> <li>• Porter des vêtements protecteurs pour protéger les yeux et la peau contre le contact avec les matériaux sous pression.</li> </ul>

# MESURES DE SÉCURITÉ IMPORTANTES (SUITE)

• CONSERVER TOUTES LES INSTRUCTIONS

## ⚠ AVERTISSEMENT RISQUE DECHOC ÉLECTRIQUE



CE QUI PEUT SE PRODUIRE	COMMENT L'ÉVITER
• Un jet en direction de prises électriques ou d'interrupteurs ou tout objet branché à un circuit électrique pourrait se solder par un choc électrique.	• Débrancher tout produit fonctionnant à l'électricité avant d'essayer de le nettoyer. Éloigner le jet des prises électriques et interrupteurs.

## ⚠ AVERTISSEMENT RISQUE DE BLESSURE EN SOULEVANT LE PRODUIT



CE QUI PEUT SE PRODUIRE	COMMENT L'ÉVITER
• Essayer de soulever un objet trop lourd peut se solder par de graves blessures.	• La laveuse haute pression est trop lourde pour être soulevée par une seule personne. Demander de l'aide avant de la soulever.

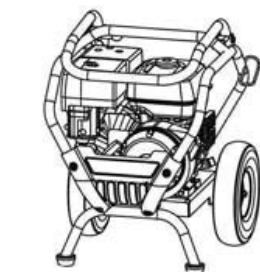
## FICHE TECHNIQUE

• CONSERVER TOUTES LES INSTRUCTIONS

MODÈLE .....	PWZC164000	VOLUME MAXIMAL D'HUILE DE LA POMPE .....	11 oz.
PSI EN FONCTIONNEMENT .....	4000	TYPE D'HUILE DE LA POMPE .....	Fluide pour tracteur commercial
GPM EN FONCTIONNEMENT .....	4.0		

## CONTENU DE LA BOÎTE

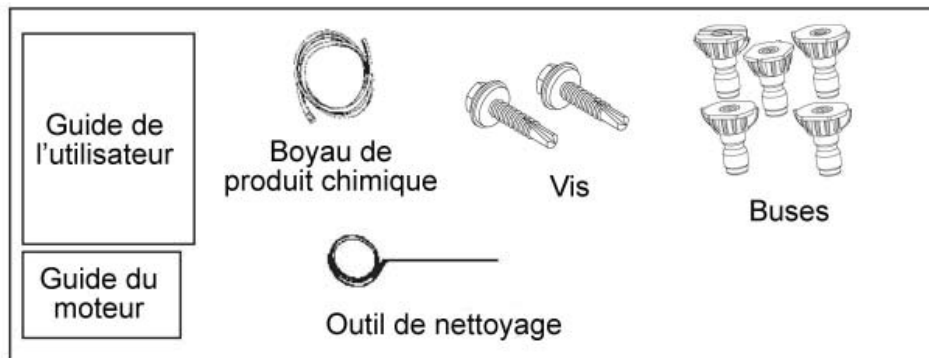
• CONSERVER TOUTES LES INSTRUCTIONS



Ensemble de châssis de moteur avec roues



Boyard à haute pression



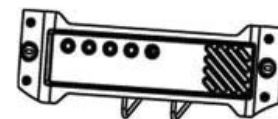
Pièces dans un sac



Pistolet de vaporisation



Tube de pulvérisation

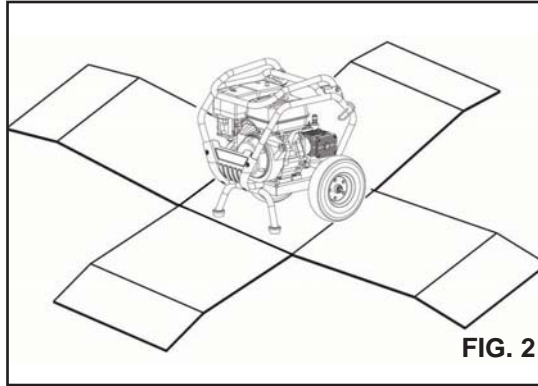
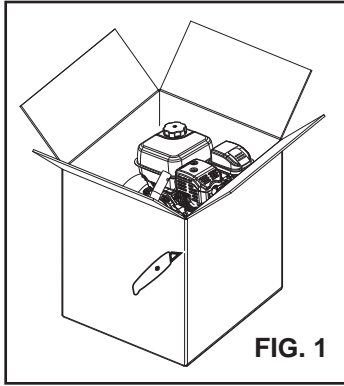


Buse Groupe

# D'ASSEMBLAGE

## • CONSERVER TOUTES LES INSTRUCTIONS

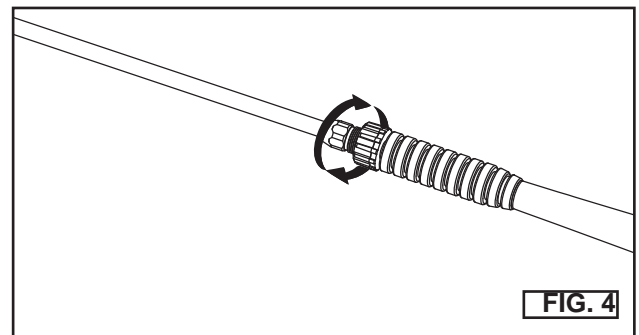
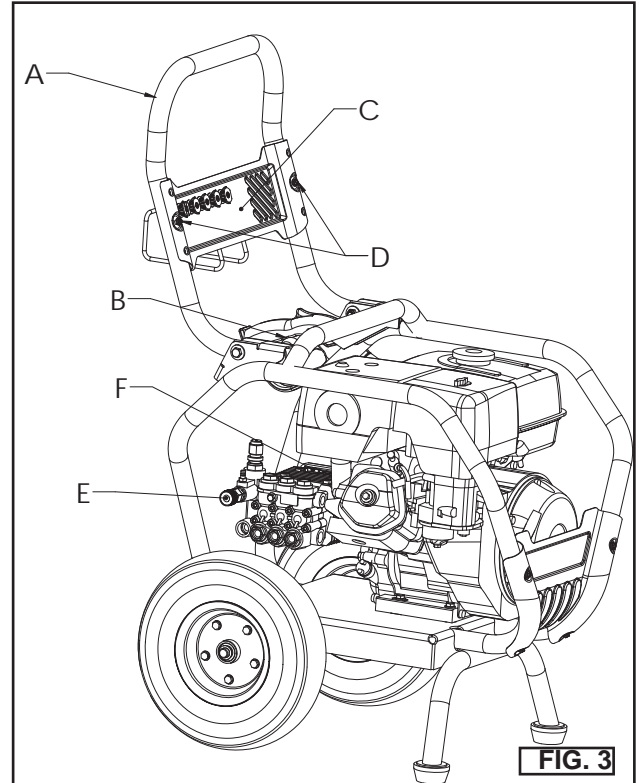
1. Identifier et retirer toutes les pièces détachées de la boîte pliante. (Fig. 1)
2. Couper les quatre coins de la boîte, du haut vers le bas, et mettre les côtés à plat sur le sol. (Fig. 2)



3. Tourner la poignée (A) vers le haut à l'opposé de la laveuse à pression jusqu'à ce qu'elle s'arrête, tirer la tige (B) et tourner la poignée jusqu'à ce qu'elle s'arrête. Laisser aller la tige et déplacer la poignée légèrement jusqu'à ce qu'elle se verrouille en place.
4. Sortez l'équipement du carton en le faisant rouler, puis jetez le carton.
5. Fixer le panneau de buse (C) à la poignée (A) à l'aide des 2 vis (D) fournies comme illustré à la Fig. 3. Insérer les 5 embouts de buse dans les œillets sur le panneau.
6. Connectez le tuyau flexible haute pression à l'orifice de sortie de la pompe (E). Serrez à fond. (Fig. 3)
7. Connectez la lance de vaporisation au pistolet. Serrez à fond. (Fig. 4)
8. Attachez le tuyau flexible haute pression au pistolet. Serrez à fond. (Fig. 5)

**REMARQUE : La pompe sur cette unité est expédiée avec de l'huile et un bouchon dans la tête qui doit être remplacée par la jauge graduée avant de faire fonctionner la laveuse à pression pour la première fois.**

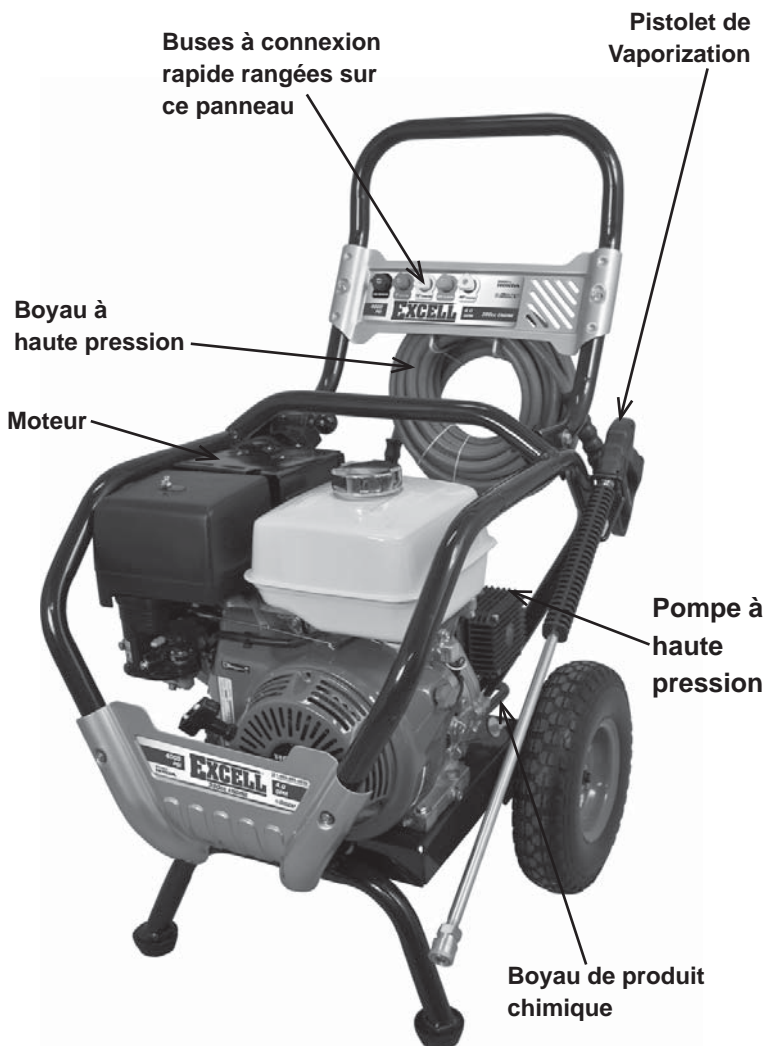
9. Enlever le bouchon (F) de la tête de pompe et le remplacer par la jauge graduée fournie avec la pompe. Pour vérifier et changer l'huile, se référer à la section « Entretien » de ce manuel.



## UTILISATION

### • CONSERVER TOUTES LES INSTRUCTIONS

Comparez les illustrations avec votre appareil afin de vous familiariser avec l'emplacement des commandes et des réglages. Conservez ce guide pour les références futures.



## ÉLÉMENTS DE BASE D'UNE LAVEUSE À PRESSION

**Pompe à haute pression** (située à l'intérieur du bouclier, N'est pas montré sur le schéma) : Augmente la pression de la source d'eau.

**Moteur** : Entraîne la pompe à haute pression.

**Boyau à haute pression** : Achemine l'eau sous pression de la pompe vers le pistolet et la lance de vaporisation.

**Pistolet de vaporisation** : S'attache à la lance pour régler le débit d'eau, la direction et la pression.

**Boyau de produit chimique** : Alimente les agents de nettoyage dans la pompe pour les mélanger avec l'eau. Consultez la partie intitulée « Application des produits chimiques/solvants de nettoyage » de cette section.

**Buses à connexion rapide** : Permettent à l'utilisateur de changer rapidement et facilement le degré de concentration du jet en fonction du travail concret à effectuer.

## ÉLÉMENTS DE BASE DU MOTEUR

Consultez le guide du moteur pour connaître l'emplacement et l'utilisation des commandes du moteur.

**Commande d'étrangleur** : Ouvre et ferme la soupape de l'étrangleur dans le carburateur.

**Poignée du démarreur** : Tirer sur la poignée du démarreur fait fonctionner le démarreur à rappel pour démarrer le moteur.

**Interrupteur du moteur** : Met en fonction ou hors fonction le système d'allumage

## PRETERMINOLOGIE DES LAVEUSES À PRESSION

**PSI** : livres par pouce carré. Une unité de mesure de pression d'eau. Également utilisé pour la pression d'air, la pression hydraulique, etc.

**GPM** : Gallons par minute. L'unité de mesure du débit d'eau.

**CU** : Unités de nettoyage. GAL. PAR MIN. x PSI = CU

**Mode de dérivation** : Permet à l'eau de recirculer dans la pompe lorsque la détente n'est pas actionnée.

### ATTENTION

Si vous laissez l'appareil en marche pendant plus de deux minutes sans actionner la détente, cela risque de surchauffer et d'endommager la pompe.

**Système d'injection de produit chimique** : Mélange les nettoyants ou les solvants de nettoyage avec l'eau pour augmenter l'efficacité de nettoyage.

**Source d'eau** : Toutes les laveuses à pression ont besoin d'une source d'eau. Les exigences minimums pour la source d'eau sont de 20 PSI et de 19 litres (5 gallons) à la minute.



## UTILISATION (SUITE)

- CONSERVER TOUTES LES INSTRUCTIONS

### CARACTÉRISTIQUES DE FONCTIONNEMENT DE LA LAVEUSE À PRESSION RÉGLAGE DE LA PRESSON

La pression est pré-réglée à l'usine afin d'obtenir une pression ainsi qu'un nettoyage optimums. La pression peut être diminuée de la façon suivante.

1. Éloignez-vous de la surface à nettoyer. Plus vous êtes éloigné, moins sera la pression sur la surface à nettoyer.
2. Utiliser la buse de 40° – Cette buse produit un jet d'eau moins puissant et pulvérise sur une plus grande surface.

#### ATTENTION

NE tentez PAS d'augmenter la pression de la pompe. Une pression plus élevée que celle réglée à l'usine peut endommager la pompe.

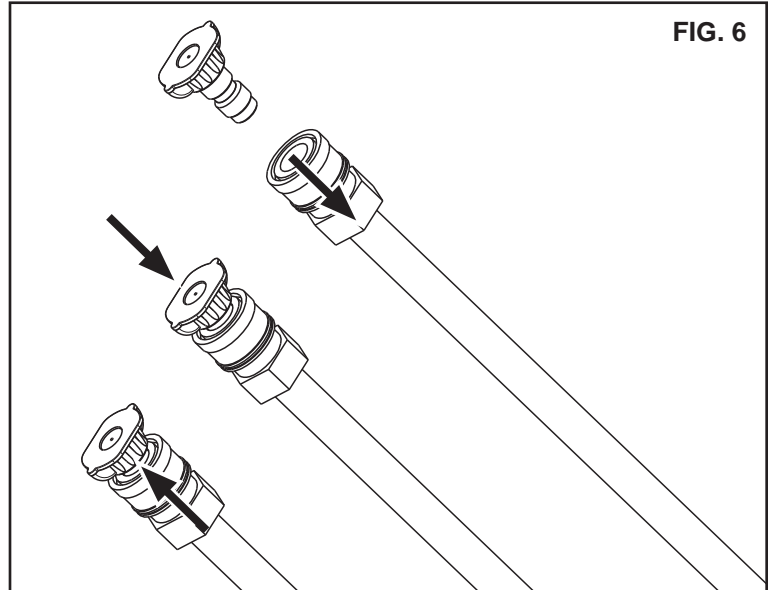
### POUR UTILISER LE TUBE DE PULVÉRISATION

Les buses pour la lance de vaporisation sont rangées sur le panneau de rangement du haut. Consulter le tableau pour choisir la buse appropriée pour le travail concret à effectuer.

### CHANGEMENT DES BUSES SUR LE TUBE DE PULVÉRISATION

#### ⚠ DANGER

**RISQUE D'INJECTION DE LIQUIDES.** Ne pas diriger le jet en direction de personnes, sur la peau et les yeux sans protection ou sur des animaux. Une blessure grave se produira.



#### ⚠ AVERTISSEMENT

**LA PROJECTION D'OBJETS POURRAIT PROVOQUER DE GRAVES BLESSURES.** NE PAS essayer de changer de buse lorsque la laveuse haute pression est en fonctionnement. Éteindre le moteur avant de changer de buse

1. Tirez vers l'arrière le collier à connexion rapide sur la lance de vaporisation et maintenez-le dans cette position.
2. Insérez la buse à connexion rapide désirée et maintenez-le en place.
3. Faites glisser le collier à connexion rapide vers l'avant jusqu'à ce qu'il se verrouille en place.
4. Assurez-vous que la buse à connexion rapide est solidement verrouillée dans la lance de vaporisation.

	0°	15°	25°	40°	Soap
Type de jet					
Usages	jet étroit puissant pour le nettoyage intense	nettoyage intense de petites surfaces	Nettoyage intensif de zones moyennement sales	couvre une surface plus grande	applique des solutions de nettoyage
Surfaces*	métal ou béton; NE PAS utiliser sur le bois	métal, béton ou bois	métal, béton ou bois	métal, béton ou bois	métal, béton, bois ou vinyle

#### \* ATTENTION

Le jet à haute pression de la laveuse à pression est capable d'endommager les surfaces fragiles telles que le bois, le verre, la peinture d'automobiles, les garnitures d'auto ainsi que les objets délicats tels que les fleurs et arbustes. Avant de vaporiser, vérifiez l'objet à nettoyer afin de vous assurer qu'il est assez robuste pour résister à la puissance du jet sans subir des dommages.

## UTILISATION (SUITE)

### • CONSERVER TOUTES LES INSTRUCTIONS

## APPLICATION DES PRODUITS CHIMIQUES/SOLVANTS DE NETTOYAGE

L'application des solutions de nettoyage devrait être effectuée à basse pression.

**REMARQUE :** Utilisez seulement des savons ou des produits chimiques qui sont conçus spécialement pour une laveuse à pression. Ne pas utiliser de l'eau de Javel.

### Application de produits chimiques

1. Vérifier que le tuyau pour produits chimiques est solidement appuyé sur le raccord cannelé (G) situé près du raccord du tuyau haute pression de la pompe (E), comme indiqué. (Fig. 7)
2. L'autre extrémité du boyau de produit chimique devrait être insérée dans le récipient de produit chimique contenant la solution de nettoyage appropriée pour la laveuse à pression.

**REMARQUE :** Pour chaque quantité de 26,5 litres (7 gallons) d'eau pompée, 3,8 litres (1 gallon) de produit chimique/ solution de nettoyage seront utilisés.

3. Insérer la buse à savon (selon le tableau précédent) dans le gicleur

d'arrosage; voir le paragraphe Utilisation du gicleur d'arrosage dans cette section.

**REMARQUE :** Les produits chimiques et les savons ne seront pas siphonnés si une buse à connexion rapide quelconque autre que la buse à savon noire est utilisée.

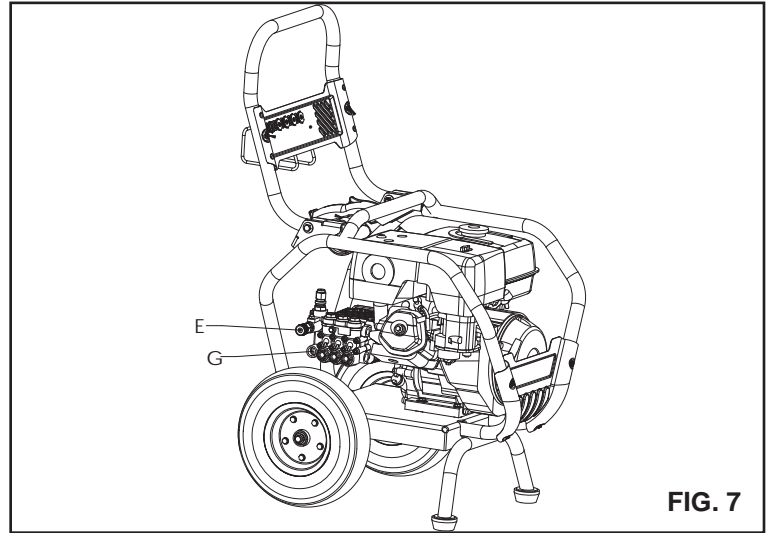


FIG. 7

### **AVERTISSEMENT**

Afin de réduire le risque de blessures, lire le mode d'emploi de la laveuse haute pression avant de la mettre en marche.

### **DANGER**

**RISQUE D'INJECTION DE LIQUIDE ET DE LACÉRATION.** Lors du fonctionnement à pression élevée, NE PAS laisser le jet à haute pression en contact avec la peau et les yeux sans protection ou avec des animaux. Une blessure grave se produira.

• La laveuse haute pression fonctionne à des pressions de liquides et des vitesses suffisamment élevées pour pénétrer la peau humaine et animale, ce qui pourrait se solder par une amputation ou autres blessures graves. Des fuites provoquées par des raccords lâches ou des tuyaux usés ou endommagés peuvent se solder par des blessures par injection. NE PAS TRAITER UNE INJECTION DE LIQUIDE COMME UNE SIMPLE COUPURE ! Consulter un médecin immédiatement !

### **AVERTISSEMENT**

**RISQUE D'INCENDIE, ASPHYXIE ET DE BRÛLURES.** NE JAMAIS faire le plein du réservoir avec le moteur en marche ou chaud. Ne pas fumer lors du plein d'essence.

- NE JAMAIS remplir le réservoir au complet. Laisser environ 127 mm (1/2 po) de dégagement sous le bord du goulot de remplissage pour permettre l'expansion de l'essence. Essuyer toute trace d'essence du moteur et de l'équipement avant de démarrer le moteur.
- NE JAMAIS utiliser le moteur à l'intérieur ou dans un espace clos peu aéré. Les gaz d'échappement des moteurs contiennent du monoxyde de carbone, un gaz inodore et mortel.
- NE PAS laisser les tuyaux en contact avec le silencieux chaud en cours de fonctionnement ou immédiatement après l'utilisation de la laveuse haute pression. Les dommages aux tuyaux, suite à un contact avec les surfaces chaudes du moteur, NE sont PAS couverts par la garantie.

### **ATTENTION**

**RISQUE DES DOMMAGES À LA PROPRIÉTÉ.** NE JAMAIS tirer sur le tuyau d'approvisionnement en eau pour déplacer la laveuse haute pression. Cette action risque d'endommager le tuyau ou l'arrivée d'eau de la pompe.

- NE PAS utiliser d'eau chaude. Utiliser uniquement de l'eau froide.
- NE JAMAIS fermer l'arrivée d'eau lors du fonctionnement de la laveuse haute pression, cela endommagera la pompe.
- NE PAS cesser la pulvérisation d'eau pour une période de plus de deux minutes à chaque fois. La pompe fonctionne en mode de dérivation lorsque la détente du pistolet de pulvérisation n'est pas engagée. Il y a risque d'endommagement des composants internes de la pompe si elle demeure en mode de dérivation pour plus de deux minutes.

Si vous ne comprenez pas ces mises en garde, veuillez téléphoner le 1-888-895-4549 et communiquer avec un représentant du service à la clientèle pour obtenir de plus amples instructions.

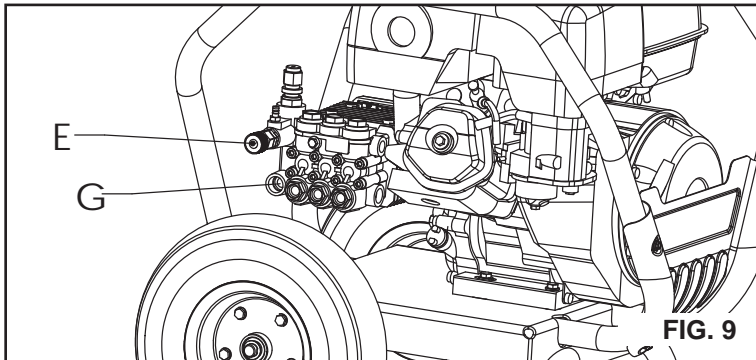
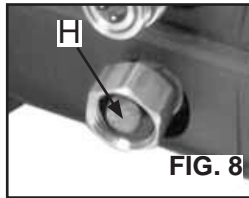
## UTILISATION (SUITE)

• CONSERVER TOUTES LES INSTRUCTIONS

### DÉMARRAGE

Avant de démarrage, l'appareil, consultez le guide du moteur pour connaître la procédure de démarrage appropriée.

1. Dans un endroit extérieur bien aéré, ajoutez de l'essence pure, sans plomb, de haute qualité et ayant un indice d'octane de 86 ou plus. Ne pas trop remplir. Essuyez l'essence déversée avant de démarrer le moteur. Consultez le guide du moteur pour connaître la procédure appropriée.
2. Vérifiez le niveau d'huile. Consultez le guide du moteur pour connaître la procédure appropriée.
3. Vérifier le niveau d'huile de la pompe. Voir la section « Entretien » de ce manuel.
4. Raccorder le tuyau d'eau à l'approvisionnement d'eau. Faire couler de l'eau dans le tuyau pour retirer toute bulle d'air. Dès que le jet d'eau est constant, fermer l'approvisionnement d'eau.
5. Assurez-vous que l'écran filtrant (H) est dans l'orifice de l'entrée d'eau de la pompe. (Fig. 8)  
**REMARQUE :** Le côté conique doit être dirigé vers l'extérieur.
6. Branchez la source d'eau à l'orifice de l'entrée de la pompe (G). **REMARQUE :** La source d'eau doit fournir un minimum de 19 litres (5 gallons) par minute à 20 PSI. at 20 PSI. (Fig. 9)



**AVERTISSEMENT** Pour réduire la possibilité de contamination, toujours protéger le système contre les refoulements s'il est raccordé au système d'apport en eau potable.

7. Attachez le boyau à haute pression à la sortie de la pompe.
8. Si vous appliquez un produit chimique ou une solution de nettoyage. Si vous voulez appliquer un produit chimique ou une solution de nettoyage, consultez la partie intitulée « Application des produits chimiques/solvants de nettoyage » de cette section.
9. Insérez la buse à connexion rapide appropriée pour la tâche à accomplir. Consulter les directives sur l'utilisation de la lance dans cette section.
10. Ouvrez le robinet de la source d'eau.

**ATTENTION** RISQUE DES DOMMAGES À LA PROPRIÉTÉ. Négliger de suivre cette directive pourrait endommager la

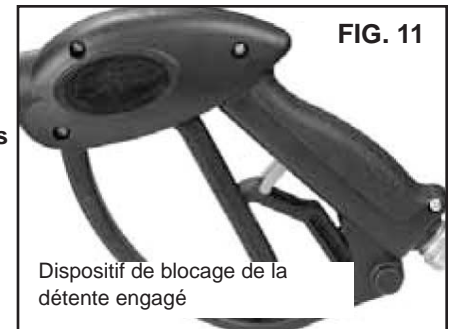
pompe.

11. Retirer toute trace de bulles d'air de la pompe et du tuyau haute pression en appuyant sur la détente jusqu'à l'obtention d'un jet d'eau constant.
12. Démarrez le moteur. Consultez le guide du moteur pour connaître la procédure appropriée.
13. Appuyez sur la détente du pistolet pour commencer la vaporisation d'eau.

**AVERTISSEMENT** RISQUE D'UTILISATION DANGEREUSE. Se tenir sur une surface stable et saisir solidement le pistolet/la lance avec les deux mains. S'attendre à un effet de rebond lorsque la détente du pistolet de pulvérisation est engagée.

14. Relâchez la détente pour arrêter le débit d'eau.

**DANGER** RISQUE DE BLESSURE PAR JET. Verrouiller la détente lorsque le pistolet n'est pas utilisé pour empêcher une pulvérisation accidentelle.



### ARRÊT DE L'APPAREIL

1. Après chaque utilisation, si vous avez appliqué des produits chimiques, aspirer de l'eau propre par le système d'injection de produit chimique pour rincer le système à fond.

**ATTENTION** RISQUE DES DOMMAGES À LA PROPRIÉTÉ. Si vous n'exécutez pas cette étape, cela risque d'endommager la pompe.

2. Arrêtez le moteur. Consultez le Guide du moteur.

**ATTENTION** NE fermez JAMAIS le robinet d'eau lorsque le moteur tourne.

3. Fermez le robinet de la source d'eau.
4. Appuyez sur la détente du pistolet de vaporisation pour dégager l'eau sous pression dans le boyau ou dans le pistolet.
5. Consultez la section sur l'entreposage de ce guide pour connaître les procédures d'entreposage appropriées.

## ENTRETIEN

### • CONSERVER TOUTES LES INSTRUCTIONS

**AVERTISSEMENT** **RISQUE DE BRÛLURE.** Lors d'un entretien, il y a présence de surfaces d'eau chaudes, à pression élevée et de pièces mobiles qui peuvent provoquer des blessures graves ou un décès.

**AVERTISSEMENT** **RISQUE D'INCENDIE.** Avant tout entretien ou réparation, toujours débrancher le fil de la bougie, laisser refroidir le moteur et décompresser toute pression d'eau. Le moteur contient un combustible inflammable. Ne pas fumer ou travailler près de flammes nues lors d'un entretien.

Afin d'assurer le bon fonctionnement et une durée de vie prolongée de votre laveuse à pression, vous devez préparer et suivre un calendrier d'entretien régulier. Si votre laveuse à pression est utilisée dans un environnement défavorable, tel qu'à des températures élevées ou des conditions poussiéreuses, les vérifications d'entretien doivent être exécutées plus souvent.

## MOTEUR

Consultez le guide du moteur pour connaître les recommandations du fabricant concernant tous les services d'entretien. **REMARQUE** : Le bouchon de vidange du moteur se situe à l'arrière de l'appareil.

## POMPE

La pompe de cette unité a besoin d'huile. Le type d'huile recommandé pour utilisation est du fluide pour tracteur commercial (fluide hydraulique pour tracteur). Le volume maximal d'huile de la pompe est de 11 oz.

Enlever la jauge graduée située sur le dessus de la pompe pour vérifier l'huile. Le niveau d'huile devrait se trouver entre les lignes max. et min. S'assurer que l'huile ne descend pas en dessous de la ligne min.

Pour ajouter de l'huile, enlever la jauge graduée et ajouter de l'huile jusqu'à ce que le niveau soit entre les lignes max. et min. Replacer la jauge graduée. S'il y a un problème avec la pompe, contacter un centre de service agréé.



## NETTOYAGE DE LA BUSE

Si la buse devient obstruée par des matériaux étrangers comme la poussière, une pression excessive peut se développer. Si la buse devient partiellement obstruée

ou le débit est restreint, la pression de la pompe commencera à pulser. Nettoyez la buse immédiatement en vous servant de la trousse de nettoyage de buse fournie et en suivant les directives suivantes :

1. Arrêtez la laveuse à pression et fermez le robinet de la source d'eau.
2. Appuyez sur la détente du pistolet afin de dégager l'eau sous pression
3. Retirez la buse à connexion rapide de la lance de va porisation.
4. Retirez toutes les obstructions éventuelles de la buse à connexion rapide au moyen de l'outil de nettoyage des buses fourni, et rincez avec un jet d'eau propre.
5. Rattachez la buse à connexion rapide à la lance de va porisation et ouvrez le robinet à eau.
6. Mettez la laveuse à pression en marche et testez-la.

## NETTOYAGE DU FILTRE D'ENTRÉE D'EAU

Cet écran filtrant devrait être vérifié périodiquement et nettoyé au

besoin.

1. Saisissez l'extrémité du filtre (H) et retirez-le de l'orifice d'entrée d'eau de la pompe, tel qu'illustré. (Fig. 11)
2. Nettoyez le filtre en le rinçant à l'eau sur les deux côtés.

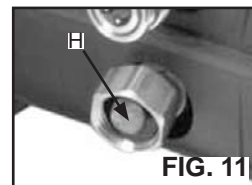


FIG. 11

3. Réinsérez le filtre dans l'orifice d'entrée d'eau de la pompe **REMARQUE** : Le côté conique doit être dirigé vers l'extérieur.

**REMARQUE** : N'utilisez pas la laveuse à pression lorsque le filtre n'est pas posé de façon appropriée.

## ENTREPOSAGE

### • CONSERVER TOUTES LES INSTRUCTIONS

## MOTEUR

Consultez le Guide du propriétaire du moteur pour connaître les recommandations du fabricant en ce qui concerne l'entreposage.

## POMPE

Le fabricant recommande l'utilisation d'un protecteur de pompe/produit d'hivernisation du rangement de l'appareil pour une durée de plus de 30 jours et/ou lorsque des températures sous le point de congélation sont prévues. Si un protecteur de pompe/produit d'hivernisation n'est pas disponible, faire circuler dans la pompe un antigel pour véhicule récréatif ou du liquide lave-glace comme décrit dans les étapes ci-dessous.

**REMARQUE** : l'utilisation d'un protecteur de pompe/produit d'hivernisation ou liquide lave-glace est prévue pour lubrifier correctement les joints internes de la pompe peut importe la température ou l'environnement externe.

1. Prendre un entonnoir de 170 ml (6 oz) d'antigel pour véhicule récréatif ou de liquide lave-glace et un tuyau de jardin de 40,6 à 91,5 cm (16 à 36 po) avec un connecteur mâle à une extrémité.

**ATTENTION** Utiliser uniquement de l'antigel pour véhicule récréatif. Tout autre antigel est corrosif et peut endommager la pompe.

2. Débrancher le fil de la bougie.
3. Raccorder le tuyau de jardin à l'arrivée d'eau de la pompe.
4. Ajouter de l'antigel pour véhicule récréatif ou du liquide lave-glace comme indiqué. (Fig. 12)



FIG. 12

# GUIDE DE DÉPANNAGE

## • CONSERVER TOUTES LES INSTRUCTIONS

Problème	Cause	Correction
Le moteur ne démarre pas (voir le Guide du moteur pour plus de renseignements sur le dépannage du moteur)	<ol style="list-style-type: none"> <li>1. Aucun carburant.</li> <li>2. Accumulation de pression après avoir tiré deux fois sur le cordon de démarrage ou après l'utilisation initiale.</li> <li>3. Le levier d'étrangleur est en position sans étranglement « No Choke ».</li> <li>4. Fil de bougie n'est pas branché.</li> <li>5. Interrupteur ON/OFF du moteur est en position OFF.</li> <li>6. Le levier d'étrangleur est en position « Choke » lorsque le moteur est chaud ou lorsque le moteur a été exposé à une source de chaleur pour une période prolongée.</li> </ol>	<ol style="list-style-type: none"> <li>1. Ajoutez du carburant.</li> <li>2. Appuyez sur la détente du pistolet pour dégager la pression.</li> <li>3. Déplacez le levier d'étrangleur à la position d'étranglement « Choke ».</li> <li>4. Branchez le fil de la bougie d'allumage.</li> <li>5. Placez l'interrupteur ON/OFF du moteur en position ON.</li> <li>6. Déplacez le levier d'étrangleur à la position sans étranglement.</li> </ol>
Aucune pression ou basse pression (à l'utilisation initiale)	<ol style="list-style-type: none"> <li>1. Buse à haute pression n'est pas installé</li> <li>2. Alimentation en eau insuffisante.</li> <li>3. Fuite au raccord de boyau à haute pression.</li> <li>4. Buse obstruée.</li> <li>5. Écran de filtrage d'eau obstrué.</li> <li>6. De l'air se trouve dans le boyau.</li> <li>7. Le levier d'étrangleur est en position « Choke ».</li> <li>8. Le boyau à haute pression est trop long.</li> </ol>	<ol style="list-style-type: none"> <li>1. Consultez les instructions « Utilisation de la lance de vaporisation » de la section « Utilisation ».</li> <li>2. La source d'eau doit acheminer au moins 5 gal./min à 20 PSI.</li> <li>3. Réparez la fuite. Appliquez du ruban d'étanchéité au besoin.</li> <li>4. Consultez les instructions « Nettoyage de la buses » de la section « Entretien ».</li> <li>5. Retirez le filtre et nettoyez-le.</li> <li>6. Arrêtez le moteur et fermez ensuite le robinet de la source d'eau. Débranchez la source d'eau de l'orifice d'entrée de la pompe et ouvrez le robinet de la source d'eau pour purger l'air du boyau. Lorsqu'un jet continu d'eau paraît, fermez le robinet de la source d'eau. Rebranchez la source d'eau à l'orifice d'entrée de la pompe et ouvrez la source d'eau. Appuyez sur la détente pour purger l'air qui reste.</li> <li>7. Déplacez le levier d'étrangleur à la position sans étranglement « Choke ».</li> <li>8. Utilisez un boyau à haute pression d'une longueur inférieure à 30 mètres (100 pieds).</li> </ol>
Aucun produit chimique n'est aspiré	<ol style="list-style-type: none"> <li>1. Buse de savon à basse pression n'est pas installé</li> <li>2. Filtre de produit chimique obstrué.</li> <li>3. L'écran filtrant de produit chimique n'est pas submergé dans le produit chimique.</li> <li>4. Le produit chimique est trop épais.</li> <li>5. Le boyau à haute pression est trop long.</li> <li>6. Une accumulation de produit chimique dans l'injecteur de produit chimique.</li> </ol>	<ol style="list-style-type: none"> <li>1. Consultez le paragraphe « Utilisation de la lance de vaporisation » de la section « Utilisation ».</li> <li>2. Nettoyez le filtre.</li> <li>3. Assurez-vous que l'embout du boyau de produit chimique est entièrement submergé dans le produit chimique.</li> <li>4. Diluez le produit chimique. Le produit chimique devrait avoir la consistance d'eau.</li> <li>5. Utilisez un boyau d'eau plus long au lieu d'un boyau à haute pression plus long.</li> <li>6. Apportez les pièces à un CSGA pour le nettoyage ou le remplacement.</li> </ol>
Aucune pression ou basse pression (après un certain temps d'utilisation normale)	<ol style="list-style-type: none"> <li>1. Joint d'étanchéité ou garniture usés.</li> <li>2. Soupapes usées ou obstruées.</li> <li>3. Warn unloaded piston.</li> </ol>	<ol style="list-style-type: none"> <li>1. Faire remplacer par un CSGA.</li> <li>2. Faire remplacer par un CSGA.</li> <li>3. Faire remplacer par un CSGA.</li> </ol>
Fuite d'eau au niveau de la connexion du pistolet/lance	<ol style="list-style-type: none"> <li>1. Joint torique usé ou brisé.</li> <li>2. Connexion de boyau desserrée.</li> </ol>	<ol style="list-style-type: none"> <li>1. Vérifiez et remplacez.</li> <li>2. Serrez.</li> </ol>
Fuite d'eau au niveau de la pompe	<ol style="list-style-type: none"> <li>1. Connexions desserrées.</li> <li>2. Garnitures de piston usées.</li> <li>3. Joints toriques usés ou brisés.</li> <li>4. La tête de la pompe ou les tubes sont endommagés à cause du gel.</li> </ol>	<ol style="list-style-type: none"> <li>1. Serrez.</li> <li>2. Faire remplacer par un CSGA.</li> <li>3. Faire remplacer par un CSGA.</li> <li>4. Faire remplacer par un CSGA.</li> </ol>
La pompe fonctionne de façon pulsée	<ol style="list-style-type: none"> <li>1. Buse obstruée.</li> </ol>	<ol style="list-style-type: none"> <li>1. Consultez les instructions « Nettoyage de la buses » de la section « Entretien ».</li> </ol>

## RÉPARATIONS

CSGA= Centre de service sous garantie autorisé

## • CONSERVER TOUTES LES INSTRUCTIONS

Pour assurer la SÉCURITÉ et la FIABILITÉ du produit, les réparations, l'entretien et les réglages doivent être réalisés par un centre de réparation sous garantie autorisé. Toujours utiliser des pièces de rechange identiques. Pour connaître l'emplacement du centre de réparation sous garantie autorisé le plus près, composer le 1-888-895-4549 ou consulter notre site [www.powermate.com](http://www.powermate.com).

# GARANTIE LIMITÉE

• CONSERVER TOUTES LES INSTRUCTIONS

## COUVERTURE EN VERTU DE LA GARANTIE : MAT Industries, LLC (la Société)

garantit au client acheteur au détail en Amérique du Nord qu'elle réparera ou remplacera gratuitement tous éléments que la Société ou son représentant de service après-vente agréé aura jugés défectueux en raison d'un vice de matériau ou de fabrication. Cette garantie couvre le coût des pièces de rechange et de la main-d'œuvre en cas de vice de matériau ou de fabrication.

## CE QUI N'EST PAS COUVERT

· Les frais de transport pour l'expédition du produit à la Société ou à son représentant de service après-vente agréé afin de faire réparer les éléments sous garantie, ou pour la réexpédition du produit réparé ou remplacé au client ; ces frais sont à la charge du client.

\* Le moteur peut être couvert exclusivement par une garantie séparée offerte par le fabricant du moteur conformément aux indications du Manuel du moteur (s'il est inclus).

\* Les dommages causés par une utilisation abusive ou un accident, ainsi que les effets de la corrosion, de l'érosion et de l'usure normale.

· La garantie sera considérée nulle et non avenue si le client n'entretient pas et/ou n'utilise pas le produit conformément aux instructions et aux recommandations du mode d'emploi fourni par la Société.

\* La garantie ne s'applique que si le produit est utilisé exclusivement pour les applications particulières du consommateur, et elle ne s'applique pas si le produit est utilisé dans des applications commerciales ou marchandes, ou comme équipement de location.

\* La Société ne paiera pas pour les réparations ou les réglages du produit, ou pour tous les frais de main-d'œuvre ou autres, en liaison avec des opérations non approuvées au préalable par la Société.

## DURÉE DE LA GARANTIE

Deux (2) ans à compter de la date de l'achat. Pour faire valoir la garantie, le client doit fournir un justificatif d'achat daté et doit notifier la Société avant la fin de la période de garantie.

**Pour obtenir la prise en charge en vertu de la garantie, veuillez téléphoner (appel gratuit) au 888-895-4549 ou écrire à Sanborn Manufacturing Co., Product Services, 118 West Rock Street, P. O. Box 206, Springfield, MN 56087 (É.-U.)**

## EXCLUSIONS ET LIMITATIONS

LA SOCIÉTÉ N'OFFRE AUCUNE AUTRE GARANTIE DE QUELQUE TYPE QUE CE SOIT, NI EXPLICITEMENT, NI IMPLICITEMENT, PAR CONSÉQUENT, TOUTES GARANTIES DE QUALITÉ MARCHANDE ET D'ADÉQUATION À UN BUT PARTICULIER SONT REJETÉES PAR LES PRÉSENTES. LE SERVICE SOUS GARANTIE DÉCRIT CI-DESSUS EST LE REMÈDE EXCLUSIF EN VERTU DE LA PRÉSENTE GARANTIE ; TOUTE RESPONSABILITÉ AU TITRE DE DOMMAGES INDIRECTS OU SECONDAIRES EST EXCLUE DANS LA MESURE PERMISE PAR LA LOI. La présente garantie vous confère des droits légaux spécifiques, et vous disposez peut-être d'autres droits, qui varient d'un État ou d'une province à l'autre. Comme certains États ou certaines provinces ne permettent pas de rejeter les garanties implicites ou d'exclure ou de limiter les dommages indirects ou secondaires, il est possible que les rejets de responsabilité et les exclusions ci-dessus ne s'appliquent pas à vous.

# LAVADORA A PRESIÓN MANU- AL DE OPERACIÓN

para el modelo PWZC164000

Registre toda la información y adhiera el comprobante de compra aquí para referencia futura:

Fecha de compra: \_\_\_\_\_

N° de serie: \_\_\_\_\_

¿Consultas? 1-888-895-4549

Familiarícese con su lavadora a presión, obtenga respuesta rápida a las preguntas más frecuentes y regístrela en línea en:

[www.powermate.com](http://www.powermate.com)



## CONTENIDO

Normas de seguridad/definiciones .....	32	Mantenimiento .....	41
Información de seguridad para el consumidor .....	32	Almacenamiento .....	41
Instrucciones importantes de seguridad.....	32-35	Reparaciones .....	42
Especificaciones.....	35	Guía de diagnóstico de problemas.....	42
Contenido de la caja .....	35	Lista Piezas y Vista Esquemática.....	14-17
Instrucciones para armar. ....	36	Garantía.....	43
Instrucciones de operación .....	37-40	English.....	1-17
		Français.....	18-30

**IMPORTANTE:** Asegúrese de que la persona que va a usar esta herramienta lea cuidadosamente y comprenda estas instrucciones antes de utilizarla.

## DEFINICIONES DE NORMAS DE SEGURIDAD

- GUÁRDENSE TODAS LAS INSTRUCCIONES

Este manual contiene importante información para que usted sepa y comprenda. Esta información se relaciona con la protección de SU SEGURIDAD Y LA PREVENCIÓN DE PROBLEMAS AL EQUIPO. Para ayudarlo a reconocer esa información, utilizamos los símbolos indicados más abajo. Sírvase leer el manual y prestar atención a dichos símbolos.

<p><b>PELIGRO</b></p> <p>Indica una situación de inminente riesgo, que si no se evita, CAUSARÁ LA MUERTE O LESIONES SERIAS.</p>	<p><b>PRECAUCIÓN</b></p> <p>Indica una situación potencialmente peligrosa, que si no se evita, PODRÍA causar LESIONES MENORES O MODERADAS.</p>
<p><b>ADVERTENCIA</b></p> <p>Indica una situación potencialmente riesgosa, que si no se evita, PODRÍA causar LA MUERTE O LESIONES SERIAS.</p>	<p><b>PRECAUCIÓN</b></p> <p>Usado sin el símbolo de seguridad de alerta indica una situación potencialmente riesgosa la que, que si no se evita, podría causar daños a la propiedad.</p>

## INFORMACIÓN DE SEGURIDAD PARA EL CONSUMIDOR

- GUÁRDENSE TODAS LAS INSTRUCCIONES

**ADVERTENCIA** Esta unidad podría no estar equipada con un cortachispas en el silenciador del escape. Si esta unidad se usa alrededor de materiales inflamables o en suelo cubierto con materiales tales como productos agrícolas, forestales, arbustos u otros similares, se debe instalar un corta chispas autorizado, y en el estado de California es obligatorio por ley que esté provisto de corta chispas y mantenido en buen estado de funcionamiento de acuerdo a las secciones 130050 y/o secciones 4442 y 4443 del Código de Recursos Públicos Naturales. El cortachispas también se requiere en algunas jurisdicciones del Servicio Forestal del Gobierno de los EE.UU. y también puede ser obligatorio por otros estatutos y ordenanzas.

**ADVERTENCIA** **ADVERTENCIA DE LA PROPUESTA DE LEY 65 DE CALIFORNIA**  
Este producto contiene sustancias químicas que, consta al Estado de California, producen cáncer, malformaciones congénitas o daños reproductivos.

## INSTRUCCIONES IMPORTANTES DE SEGURIDAD

- GUÁRDENSE TODAS LAS INSTRUCCIONES

**ADVERTENCIA** No opere este equipo hasta haber leído y entendido las instrucciones de seguridad, operación y mantenimiento en este Manual del Operador y en el Manual del Propietario del Motor.

### LEA Y CONSERVE ESTAS INSTRUCCIONES

**PELIGRO** RIESGO DE EXPLOSIÓN O INCENDIO



¿QUÉ PUEDE SUCEDER?	CÓMO EVITARLO
<ul style="list-style-type: none"> <li>• La gasolina derramada y sus vapores pueden encenderse a causa de chipas de cigarrillos, arcos eléctricos, gases de escape y componentes calientes del motor, como el silenciador</li> </ul>	<ul style="list-style-type: none"> <li>• Apague el motor y deje que se enfríe antes de poner combustible en el tanque.</li> <li>• Sea cuidadoso al llenar el tanque para evitar el derrame de combustible. Aleje la lavadora a presión del área combustible antes de poner en marcha el motor.</li> </ul>
<ul style="list-style-type: none"> <li>• El calor expandirá el combustible dentro del tanque, lo que podría provocar un derrame y una posible explosión incendio</li> </ul>	<ul style="list-style-type: none"> <li>• Llene el tanque hasta 12,7 mm (1/2") por debajo de la parte inferior del cuello de llenado, a fin de brindar espacio para la expansión del combustible.</li> </ul>
<ul style="list-style-type: none"> <li>• La operación de la lavadora a presión en un entorno explosivo podría provocar un incendio</li> </ul>	<ul style="list-style-type: none"> <li>• Opere y coloque combustible al equipo en áreas bien ventiladas y libres de obstrucciones. Equipe las áreas con un extintor de incendios adecuado para incendios por gasolina.</li> </ul>
<ul style="list-style-type: none"> <li>• La colocación de materiales contra o cerca de la lavadora a presión puede interferir con la ventilación adecuada del equipo, lo que causaría un sobrecalentamiento y podría encender los materiales.</li> </ul>	<ul style="list-style-type: none"> <li>• Nunca opere la lavadora a presión en un área que tenga malezas secas.</li> </ul>
<ul style="list-style-type: none"> <li>• El calor del escape del silenciador puede dañar las superficies pintadas, derretir los materiales sensibles al calor (como revestimientos interiores, plástico, goma, vinilo o la propia manguera de presión) y perjudicar a las plantas naturales.</li> </ul>	<ul style="list-style-type: none"> <li>• Mantenga siempre la lavadora a presión a una distancia mínima de 1,2 m (4') de las superficies (tales como casas, automóviles o plantas naturales) que podrían sufrir daños por el calor del escape del silenciador.</li> </ul>



# INSTRUCCIONES IMPORTANTES DE SEGURIDAD (CONT.)

• GUÁRDENSE TODAS LAS INSTRUCCIONES

## PELIGRO RIESGO DE EXPLOSIÓN O INCENDIO (CONT.)

¿QUÉ PUEDE SUCEDER?	CÓMO EVITARLO
<ul style="list-style-type: none"> <li>• El combustible que no se almacena en forma correcta podría causar la ignición accidental. Si no se lo resguarda adecuadamente, podría terminar en manos de niños u otras personas no calificadas.</li> </ul>	<ul style="list-style-type: none"> <li>• Almacene el combustible dentro de un contenedor aprobado por OSHA en un lugar seguro, lejos del área de trabajo.</li> </ul>
<ul style="list-style-type: none"> <li>• El uso de ácidos, productos químicos tóxicos o corrosivos, venenos, insecticidas o cualquier clase de solventes inflamables con esta unidad, podría ocasionar lesiones serias o la muerte.</li> </ul>	<ul style="list-style-type: none"> <li>• No rocíe líquidos inflamables.</li> </ul>



## PELIGRO RIESGO RESPIRATORIO (ASFIXIA)

¿QUÉ PUEDE SUCEDER?	CÓMO EVITARLO
<ul style="list-style-type: none"> <li>• La inhalación de vapores de escape causará lesiones graves o la muerte. El escape del motor contiene monóxido de carbono, un gas inodoro que es fatal.</li> </ul>	<ul style="list-style-type: none"> <li>• Opere la lavadora a presión en un área bien ventilada. Evite los lugares cerrados como garajes, sótanos, etc.</li> <li>• Nunca opere la unidad en un lugar en el que haya otras personas o animales.</li> </ul>
<ul style="list-style-type: none"> <li>• Algunos líquidos para limpieza contienen sustancias que podrían causar lesiones en la piel, los ojos o los pulmones.</li> </ul>	<ul style="list-style-type: none"> <li>• Utilice solamente limpiadores recomendados específicamente para lavadoras a alta presión. Siga las recomendaciones de los fabricantes. No use lejía de cloro ni otro compuesto corrosivo.</li> </ul>



## PELIGRO RIESGO DE INYECCIÓN DE LÍQUIDO Y LACERACIÓN

¿QUÉ PUEDE SUCEDER?	CÓMO EVITARLO
<ul style="list-style-type: none"> <li>• Su lavadora a presión opera el líquido con una presión y velocidad lo suficientemente altas como para penetrar la carne humana y animal, y por ello podría ocasionar una amputación u otra lesión grave. Las pérdidas causadas por accesorios sueltos o mangueras dañadas pueden producir lesiones por inyección. NO TRATE LA INYECCIÓN DE LÍQUIDO COMO SI FUERA UN SIMPLE CORTE Consulte al médico de inmediato.</li> </ul>	<ul style="list-style-type: none"> <li>• Inspeccione la manguera de alta presión periódicamente. Reemplace la manguera de inmediato si está dañada, gastada, se derritió por contacto con el motor o evidencia signos de grietas, burbujas, agujeros u otros tipos de pérdida. Nunca tome una manguera de alta presión que tenga una pérdida o esté dañada.</li> <li>• Nunca toque, tome ni trate de cubrir un agujero o causa de pérdida de agua similar en la manguera de alta presión. El flujo de agua ESTÁ a alta presión y PENETRARÁ la piel.</li> <li>• Nunca coloque las manos frente a la boquilla.</li> <li>• No dirija el pulverizador hacia sí mismo u otras personas.</li> <li>• Asegúrese de que la manguera y los accesorios estén ajustados y en buenas condiciones. Nunca se sujete de la manguera ni de los accesorios durante la operación.</li> <li>• No permita que la manguera entre en contacto con el silenciador.</li> <li>• Nunca coloque ni quite la varilla ni los accesorios de la manguera mientras el sistema esté presurizado.</li> </ul>
<ul style="list-style-type: none"> <li>• Podría resultar herido si la presión del sistema no se reduce antes de intentar realizarle mantenimiento o desarmarlo.</li> </ul>	<ul style="list-style-type: none"> <li>• Para aliviar la presión del sistema, apague el motor, cierre el suministro de agua y hale del disparador de la pistola hasta que deje de salir líquido.</li> <li>• Utilice solamente mangueras y accesorios calificados para soportar presiones superiores al PSI de su.</li> </ul>



## PELIGRO RIESGO DE LESIÓN POR PULVERIZACIÓN

¿QUÉ PUEDE SUCEDER?	CÓMO EVITARLO
<ul style="list-style-type: none"> <li>• La pulverización de líquidos a alta velocidad puede hacer que los objetos se rompan y lancen partículas a gran velocidad.</li> <li>• Los objetos livianos o no asegurados pueden convertirse en proyectiles peligrosos.</li> </ul>	<ul style="list-style-type: none"> <li>• Use siempre gafas de seguridad aprobadas según la ANSI Z87.1. Utilice ropa que lo proteja de una pulverización accidental.</li> <li>• Nunca apunte el pulverizador a personas o animales.</li> <li>• Asegure siempre el bloqueador del disparador cuando la varilla no esté en uso para evitar la operación accidental.</li> <li>• Nunca asegure el disparador hacia atrás, en posición abierta permanente</li> </ul>

# INSTRUCCIONES IMPORTANTES DE SEGURIDAD (CONT.)

• GUÁRDENSE TODAS LAS INSTRUCCIONES



## **PELIGRO** RIESGO DE OPERACIÓN INSEGURA

¿QUÉ PUEDE SUCEDER?	CÓMO EVITARLO
<ul style="list-style-type: none"> <li>• La operación insegura de su lavadora a presión podría producir lesiones graves o la muerte, a usted mismo o a otras personas..</li> </ul>	<ul style="list-style-type: none"> <li>• No utilice lejía de cloro ni otro compuesto corrosivo.</li> <li>• Familiarícese con las operaciones y los controles de la lavadora a presión.</li> <li>• Mantenga el área de operaciones libre de personas, mascotas y obstáculos.</li> <li>• No opere el producto cuando esté cansado o bajo la influencia de alcohol o drogas. Manténgase alerta en todo momento.</li> <li>• Nunca anule las características de seguridad de este producto.</li> <li>• No opere la máquina si faltan piezas, están rotas o no son las autorizadas.</li> <li>• Nunca deje la varilla sin atención mientras la unidad está en funcionamiento.</li> </ul>
<ul style="list-style-type: none"> <li>• Si no se sigue el procedimiento de puesta en marcha adecuado, el motor puede retroceder, lo que podría causar daños graves a las manos y los brazos..</li> </ul>	<ul style="list-style-type: none"> <li>• Si el motor no arranca después de halar dos veces, apriete el disparador de la pistola para aliviar la presión de la bomba. Hale del cable de arranque lentamente hasta sentir cierta resistencia. Entonces, hale de él rápidamente para evitar el retroceso y que se produzcan lesiones en las manos o los brazos.</li> </ul>
<ul style="list-style-type: none"> <li>• La pistola/varilla pulverizadora es una herramienta de limpieza poderosa, que podría parecer un juguete ante los ojos de un niño.</li> </ul>	<ul style="list-style-type: none"> <li>• Mantenga a los niños alejados de la lavadora a presión en todo momento.</li> </ul>
<ul style="list-style-type: none"> <li>• La fuerza reactiva de la pulverización hará que la pistola/varilla retroceda, lo cual podría hacer que el operador se resbale, caiga o apunte el pulverizador hacia una dirección incorrecta. El control inadecuado de la pistola/varilla puede causar lesiones al usuario y a otras personas.</li> </ul>	<ul style="list-style-type: none"> <li>• No se estire demasiado ni se pare en una superficie que no brinde estabilidad.</li> <li>• No use la lavadora a presión cuando esté subido a una escalera.</li> <li>• Agarre la pistola/varilla firmemente con ambas manos. Espere que la pistola retroceda cuando la dispare.</li> </ul>

## **PELIGRO** RIESGO DE LESIÓN O DAÑO A LA PROPIEDAD AL TRANSPORTAR O ALMACENAR LA UNIDAD



¿QUÉ PUEDE SUCEDER?	CÓMO EVITARLO
<ul style="list-style-type: none"> <li>• Se puede producir una pérdida o derrame de combustible y aceite, lo cual podría generar peligro de incendio o inhalación. Puede causar lesiones graves o la muerte. Los derrames de combustible o aceite dañarán alfombras, pintura y otras superficies de vehículos o remolques.</li> </ul>	<ul style="list-style-type: none"> <li>• Si la lavadora a presión está equipada con una válvula de cierre de combustible, colóquela en la posición CERRADA antes de transportar la unidad, a fin de evitar pérdidas de combustible. Si la lavadora no está equipada con esta válvula, drene el combustible del tanque antes de transportarla. Sólo transporte combustible en un contenedor aprobado por OSHA. Coloque siempre la lavadora a presión en un tapete protector cuando la transporte, para proteger al vehículo de daños por pérdidas. Quite la lavadora a presión del vehículo inmediatamente una vez que haya llegado a destino.</li> </ul>

## **ADVERTENCIA** RIESGO DE SUPERFICIES CALIENTES



¿QUÉ PUEDE SUCEDER?	CÓMO EVITARLO
<ul style="list-style-type: none"> <li>• El contacto con superficies calientes, tales como los componentes de escape de motores, podría causar quemaduras graves.</li> </ul>	<ul style="list-style-type: none"> <li>• Durante la operación, toque solamente las superficies de los controles de la lavadora a presión. Mantenga a los niños alejados de la lavadora a presión en todo momento. Es posible que ellos no reconozcan los peligros de este producto.</li> </ul>

## **ADVERTENCIA** RIESGO DE QUEMADURA QUÍMICA



¿QUÉ PUEDE SUCEDER?	CÓMO EVITARLO
<ul style="list-style-type: none"> <li>• El uso de ácidos, químicos tóxicos o corrosivos, venenos, insecticidas o cualquier tipo de solvente inflamable con este producto podría provocar una lesión grave o la muerte</li> </ul>	<ul style="list-style-type: none"> <li>• No utilice ácidos, gasolina, kerosén o cualquier otro material inflamable en este producto. Sólo use detergentes, limpiadores y desgrasadores domésticos recomendados para su aplicación en lavadoras de presión.</li> <li>• Utilice ropa que le proteja los ojos y la piel del contacto con los materiales pulverizados.</li> </ul>

# INSTRUCCIONES IMPORTANTES DE SEGURIDAD (CONT.)

• GUÁRDENSE TODAS LAS INSTRUCCIONES

## ⚠️ ADVERTENCIA RIESGO DE DESCARGA ELÉCTRICA



¿QUÉ PUEDE SUCEDER?	CÓMO EVITARLO
<ul style="list-style-type: none"> <li>La pulverización de tomacorrientes o interruptores eléctricos, u objetos conectados a un circuito eléctrico podría provocar una descarga eléctrica fatal.</li> </ul>	<ul style="list-style-type: none"> <li>La pulverización de tomacorrientes o interruptores eléctricos, u objetos conectados a un circuito eléctrico podría provocar una descarga eléctrica fatal.</li> </ul>

## ⚠️ ADVERTENCIA RISK OF INJURY FROM LIFTING



¿QUÉ PUEDE SUCEDER?	CÓMO EVITARLO
<ul style="list-style-type: none"> <li>El intento de levantar un objeto muy pesado puede provocar lesiones graves.</li> </ul>	<ul style="list-style-type: none"> <li>La lavadora a presión es demasiado pesada como para que la levante una sola persona. Consiga la ayuda de otras personas para levantarla.</li> </ul>

## ESPECIFICACIONES

• GUÁRDENSE TODAS LAS INSTRUCCIONES

MODELO.....PWZC164000	CAPACIDAD DE LA BOMBA DE ACEITE: ..... 11 onzas
PSI DE OPERACIÓN.....4000	TIPO DE BOMBA DE ACEITE: . fluido comercial para tractores
GPM DE OPERACIÓN.....4.0	

## CONTENIDO DE LA CAJA

• GUÁRDENSE TODAS LAS INSTRUCCIONES



Bastidor del motor y conjunto de ruedas



Manguera de alta presión



Manual del operador

Manguera de químicos

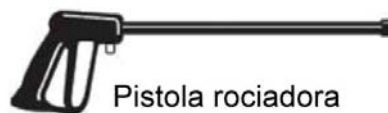
Tornillos

Boquillas

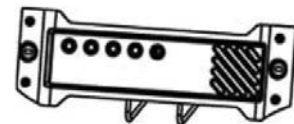
Manual del motor

Herramienta de limpieza

Piezas embolsadas



Pistola rociadora



Boquilla Grupo



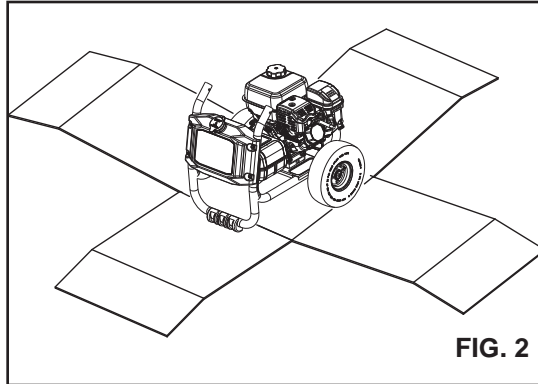
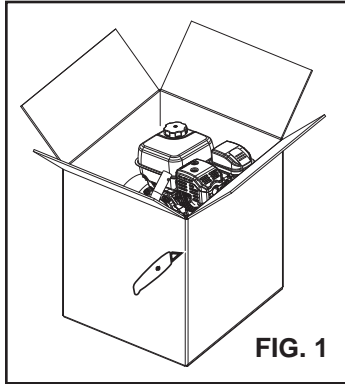
Varilla pulverizadora

# INSTRUCCIONES PARA ARMAR

## • GUÁRDENSE TODAS LAS INSTRUCCIONES

1. Busque todas las partes sueltas de la caja y retírelas. (Fig. 1)

2. Corte las cuatro esquinas de la caja desde la parte superior hacia abajo y coloque los paneles en posición horizontal. (Fig. 2)



3. Gire la palanca (A) hacia arriba y en sentido opuesto a la lavadora de presión hasta que se detenga, jale el pin (B) y gire la palanca hasta que se detenga. Suelte el pin y mueva la palanca ligeramente para asegurarla en su lugar.

4. Rodar la unidad para apartarla de la caja y desechar la caja.

5. Inserte el panel de la boquilla (C) a la palanca (A) con los 2 tornillos (D) que se proporcionan, como se muestra en la figura 3. Inserte las puntas de las 5 boquillas en los ojales del panel.

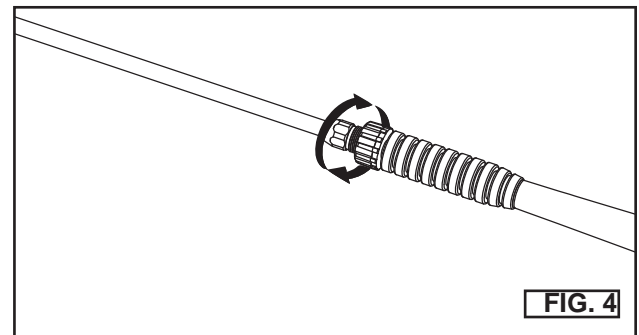
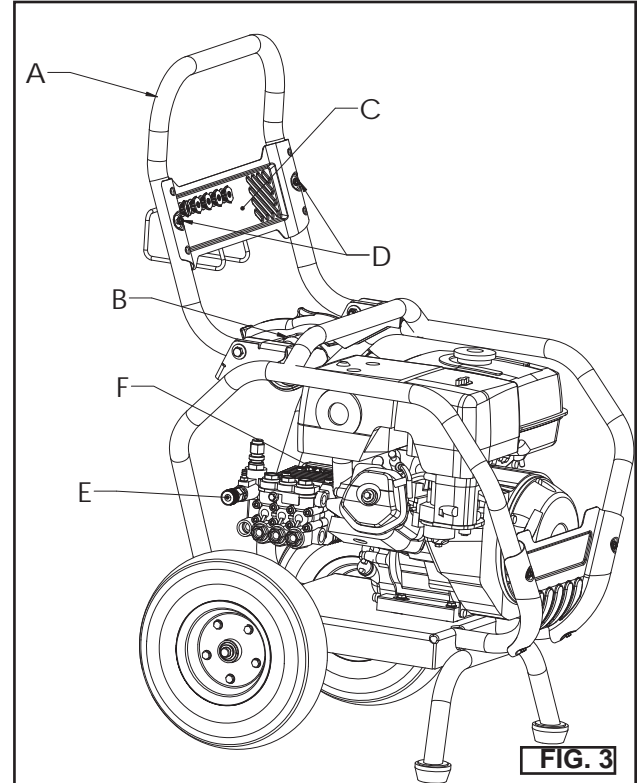
6. Conectar la manguera de alta presión a la descarga de la bomba (E). Apretarla de manera segura. (Fig. 3)

7. Conectar la varilla a la pistola. Apretarla de manera segura. (Fig. 4)

8. Conectar la manguera de alta presión a la pistola. Apretarla de manera segura. (Fig. 5)

**NOTA:** La bomba de esta unidad se entrega con aceite y con un tapón en la cabeza que se debe cambiar por la varilla antes de operar la lavadora de presión por primera vez.

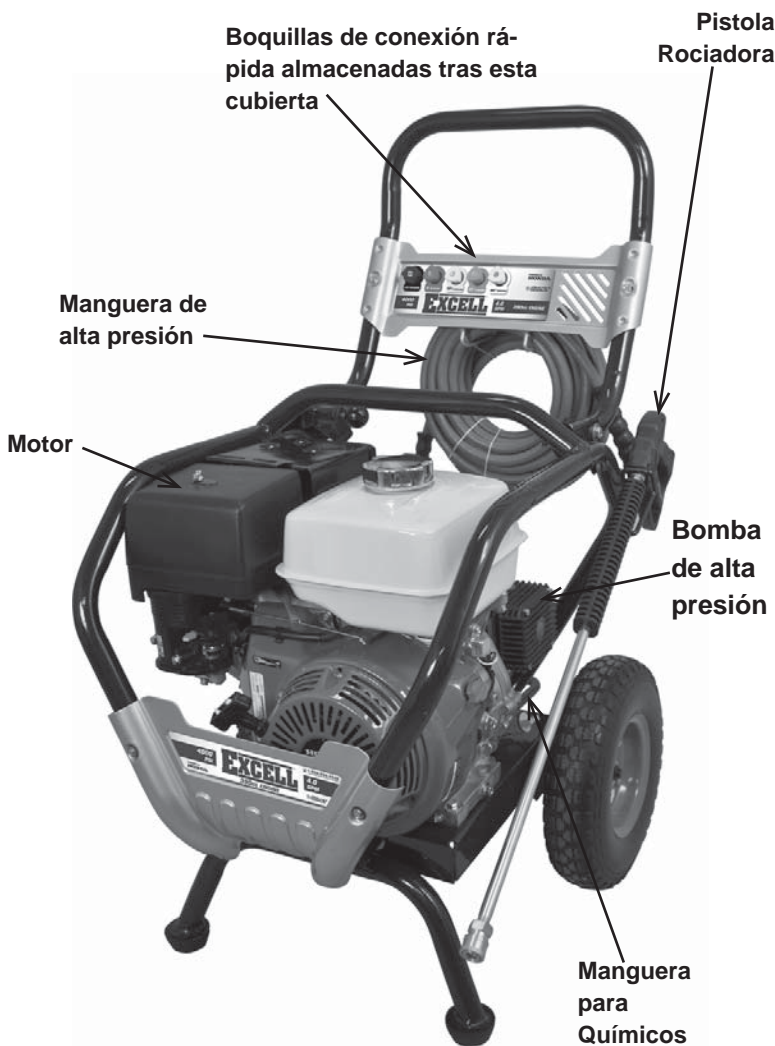
9. Retire el tapón (F) de la cabeza de la bomba y reemplácelo con la varilla que se entrega con la bomba. Para revisar y cambiar el aceite, consulte la sección "Mantenimiento" de este manual.



# INSTRUCCIONES DE OPERACIÓN

• GUÁRDENSE TODAS LAS INSTRUCCIONES

Compare las ilustraciones con su unidad para familiarizarse con la ubicación de sus controles y regulaciones. Conserve este manual para referencias futuras.



## ELEMENTOS BÁSICOS DE UNA LAVADORA A PRESIÓN

**Bomba de alta presión** (ubicada en el interior del casco, no mostrada): Incrementa la presión del suministro de agua.

**Motor:** Acciona la bomba de alta presión.

**Manguera de alta presión:** Lleva el agua a presión desde la bomba a la pistola y el tubo aplicador.

**Pistola rociadora:** Se conecta al tubo aplicador para controlar el volumen del flujo del agua, su dirección y la presión.

**Manguera para Químicos:** Alimenta los líquidos limpiadores a la bomba para mezclarlos con agua. Refiérase a las instrucciones para la aplicación de químicos y solventes limpiadores en esta sección.

**Boquillas de conexión rápida:** permiten al usuario cambiar rápida y fácilmente el tipo de rociado para adecuarse a la obra según el caso.

## ELEMENTOS BÁSICOS DEL MOTOR

Refiérase al manual del motor para conocer la ubicación y el manejo de sus controles.

**Control de cebado:** Abre y cierra la válvula cebadora.

**Manija de arranque:** Tirando esta manija se acciona el arrancador con resorte de retroceso que arranca el motor.

**Llave interruptora de I motor:** Conecta y desconecta el sistema de ignición del motor.

## TERMINOLOGÍA DE LA LAVADORA A PRESIÓN

**PSI:** (Pounds per Square Inch) Lb/Pulg<sup>2</sup>. Es una unidad de medida para la presión del agua. También se usa para medir la presión neumática, presión hidráulica, etc. Equivale a 49 pascales.

**GPM:** (Gallons per Minute). Galones por minuto. Es la unidad de medida para el flujo de agua. Equivale a 6,89 kPa.

**CU:** (Unidades de limpieza) GPM multiplicados por PSI. lpm • kPa = Unidades limpiadoras

**Modo de Derivación:** Permite que el agua recircule dentro de la bomba cuando el gatillo no está presionado.

### PRECAUCIÓN

No permita que la unidad funcione por más de dos minutos sin apretar el gatillo porque se recalentará y se dañará bomba.

**Sistema de Inyección de Productos Químicos:** Mezcla los limpiadores o solventes con agua para mejorar la eficiencia del lavado.

**Suministro de agua:** Todas las lavadoras a presión deben tener un suministro de agua. Los requerimientos mínimos para el suministro del agua son 137,8 kPa y 22,7 L/ min (5 Gal/min).

# INSTRUCCIONES DE OPERACIÓN (CONT.)

• GUÁRDENSE TODAS LAS INSTRUCCIONES

## CARACTERÍSTICAS DE OPERACIÓN DE LA LAVADORA A PRESIÓN REGULACIÓN DE LA PRESIÓN

La presión viene regulada de fábrica con el objeto de lograr la presión óptima para la limpieza. Si usted necesitase reducir la presión, podrá hacerlo con los siguientes métodos:

1. Retírese de la superficie por lavarse. Cuanto más alejado usted se encuentre, menor presión habrá sobre la superficie a lavarse.
2. Cambio a la boquilla de 40° - esta boquilla suministra un chorro de agua menos potente y un patrón de pulverización más amplio.

### PRECAUCIÓN

NO intente incrementar la presión de la bomba. Una graduación superior a la que trae de fábrica puede dañar la bomba.

## PARA USAR LA VARILLA PULVERIZADORA

Las boquillas para la varilla de rociado se almacenan en el compartimento superior de almacenamiento. Consúltese la tabla para escoger la boquilla según el tipo de obra.

## CAMBIO DE LAS BOQUILLAS DE LA VARILLA PULVERIZADORA

### ⚠ PELIGRO

**RIESGO DE INYECCIÓN DE LÍQUIDO.** No dirija el flujo de agua hacia personas, piel y ojos desprotegidos, ni animales o mascotas. Se producirán lesiones graves.

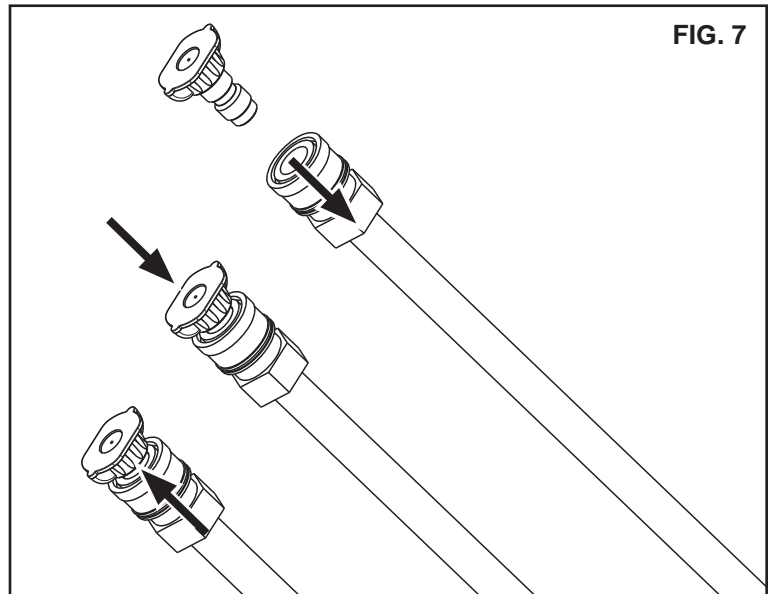


FIG. 7

### ⚠ ADVERTENCIA

**LOS OBJETOS DESPEDIDOS PODRÍAN CAUSAR LESIONES GRAVES.** NO intente cambiar las boquillas mientras la lavadora a presión está funcionando. Apague el motor antes de hacerlo.

1. Tirar del collarín de conexión rápida en la varilla de rociado y retenerlo en esa posición.
2. Insertar la boquilla de conexión rápida deseada y sujetarla en posición.
3. Deslizar el collarín de conexión rápida hacia adelante hasta encajarlo en posición.
4. Verificar que la boquilla de conexión rápida esté asegurada en la varilla de rociado.

	0°	15°	25°	40°	Soap
<b>Patrón (Abanico) de Rociado</b>					
<b>Usos</b>	Chorro fino y potente para lavado muy intenso	Lavado intenso de áreas pequeñas	Intense cleaning of medium areas	Cubre áreas amplias de lavado	Aplica soluciones limpiadoras
<b>Superficies*</b>	Metal o concreto NO USAR en madera	metal, concreto, o madera	metal, concreto, o madera	metal, concreto, o madera	metal, concreto, madera o vinilo

### \* PRECAUCIÓN

El chorro de alta presión de la lavadora puede dañar superficies como: madera, vidrio, pintura de automóviles, molduras y decoraciones de automóviles y objetos delicados tales como flores y arbustos. Antes de rociar, examine el objeto a lavarse para asegurarse que sea lo suficientemente robusto como para que no se dañe con la fuerza del chorro.

# INSTRUCCIONES DE OPERACIÓN (CONT.)

• GUÁRDENSE TODAS LAS INSTRUCCIONES

## CÓMO EMPLEAR PRODUCTOS QUÍMICOS Y SOLVENTES PARA LIMPIEZA

El empleo de productos químicos o solventes para limpieza es una operación de baja presión.

**NOTA:** Utilice solamente jabones y productos químicos diseñados para el uso en lavadoras a presión. No use blanqueadores.

### Aplicación de productos químicos:

1. Asegúrese de que la manguera para productos químicos esté presionada sobre el pico dentado (G) que está cerca de la conexión de la manguera de alta presión de la bomba, según se muestra (E). (Fig. 7)
2. El otro extremo de la manguera para productos químicos se debe insertar en un contenedor de productos químicos que contenga la solución de limpieza apropiada para una lavadora de presión.

**NOTA:** Se usa 3,785 litros de solución química limpiadora por cada 26,495 litros de agua que se bombea.

3. Inserte la boquilla para jabón (de acuerdo con el diagrama anterior) en la varilla de rociado; vea el párrafo "Uso de la varilla" de rociado en esta sección.
4. Insertar la boquilla para sustancias químicas en la varilla de rociado, véase el párrafo Cómo usar la varilla de rociado en esta sección.

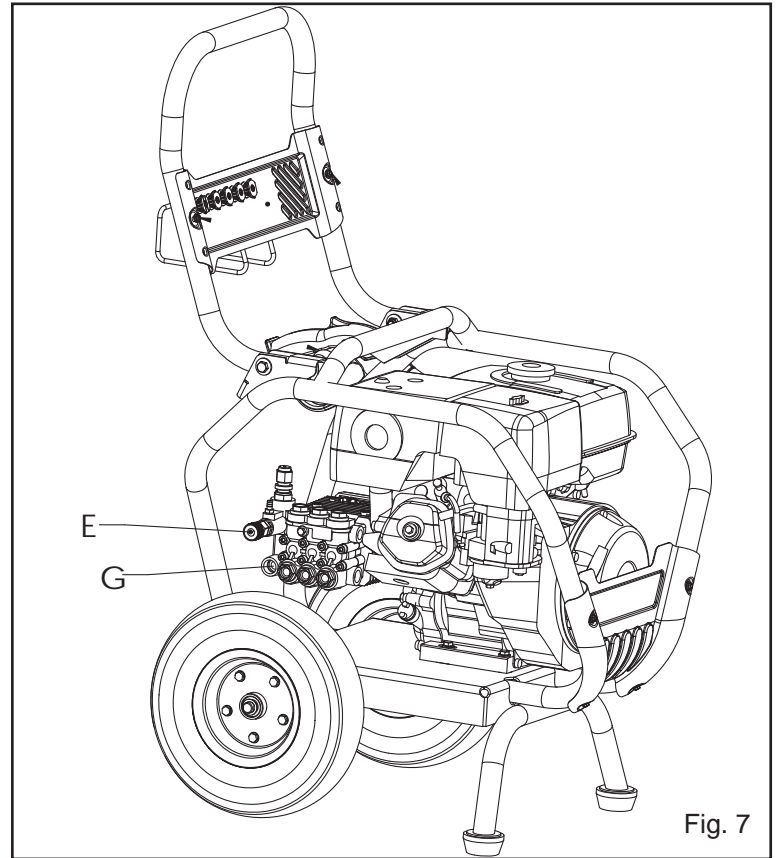


Fig. 7

**⚠ ADVERTENCIA** Para reducir el riesgo de lesión, lea los manuales de instrucciones de la lavadora a presión y del motor antes de poner en marcha la unidad.

**⚠ PELIGRO** RIESGO DE INYECCIÓN DE LÍQUIDO Y LACERACIÓN. Cuando utilice la configuración de alta presión, NO permita que el pulverizador entre en contacto con personas, piel y ojos desprotegidos, ni con animales o mascotas. Se producirán lesiones graves.  
• Su lavadora opera el líquido con una presión y velocidad lo suficientemente altas como para penetrar la carne humana y animal, y esto podría provocar una amputación u otra lesión grave. Las pérdidas causadas por accesorios sueltos o mangueras dañadas pueden provocar lesiones por inyección. NO TRATE LA INYECCIÓN DE LÍQUIDO COMO SI FUERA UN SIMPLE CORTE. Consulte a un médico de inmediato.

**⚠ ADVERTENCIA** RIESGO DE INCENDIO, ASFIXIA Y QUEMADURA. NUNCA llene el tanque de combustible cuando el motor esté encendido o caliente. No fume mientras llena el tanque.  
• NUNCA llene el tanque de combustible por completo. Llene el tanque hasta 12,7 mm (1/2") por debajo de la parte inferior del cuello de llenado, a fin de brindar espacio para la expansión del combustible. Limpie cualquier derrame de combustible del motor y el equipo antes de poner en marcha el motor.  
• NUNCA encienda el motor bajo techo ni en áreas cerradas y poco ventiladas. El escape del motor contiene monóxido de carbono, un gas inodoro que es fatal.  
• NO deje que las mangueras entren en contacto con el silenciador del motor, que estará muy caliente, durante o inmediatamente después de usar la lavadora a presión. La garantía NO cubrirá el daño a las mangueras que se produzca por el contacto con superficies muy calientes del motor.

**⚠ PRECAUCIÓN** RIESGO DE DAÑO A LA PROPIEDAD. NUNCA tire de la manguera de suministro de agua para mover la lavadora a presión. Esta acción podría dañar la manguera y/o la entrada de la bomba.

- NO use agua caliente, sólo agua fría.
- NUNCA cierre el suministro de agua mientras el motor de la lavadora a presión esté encendido, esto dañaría la bomba.
- NO detenga la pulverización de agua durante más de dos minutos por vez. La bomba opera en modo de derivación cuando no se presiona el disparador de la pistola pulverizadora. Si la bomba queda en modo de derivación durante más de dos minutos, sus componentes internos podrían dañarse.

Si no comprende estas instrucciones, sírvase llamar al 1-888-895-4549 para conversar con un representante de servicio que le provea información adicional.

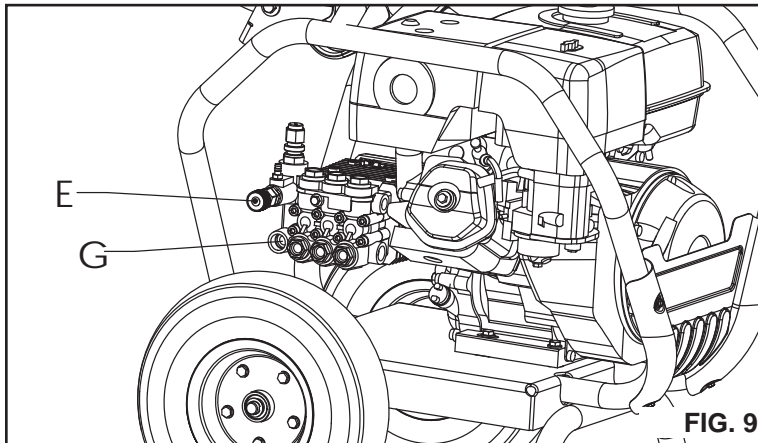
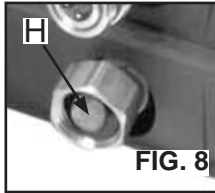
# INSTRUCCIONES DE OPERACIÓN (CONT.)

• GUÁRDENSE TODAS LAS INSTRUCCIONES

## ARRANQUE

Antes de arrancar, refiérase al procedimiento de arranque en el manual de su motor.

1. **En una zona bien ventilada externa**, agregue gasolina nueva, de alta calidad, sin plomo, identificada en el surtidor de combustible con 86 octanos o más. No llene en exceso. Limpie cualquier derrame de combustible del motor y del equipo antes de poner el motor en marcha. Para informarse del procedimiento correcto, refiérase al manual del motor.
2. **Verifique el nivel de aceite del motor.** Para informarse del procedimiento correcto, refiérase al manual del propietario del motor.
3. Revise el nivel de aceite de la bomba. Vea la sección "Mantenimiento" de este manual.
4. **Conecte la manguera de agua a la fuente de agua.** Abra la fuente de agua para quitarle todo el aire a la manguera. Cuando haya un flujo de agua con stante, apague la fuente de agua.
5. **Verifique que la malla del filtro (H)** esté en la entrada de agua de la bomba. (Fig. 8)  
**NOTA:** El cono hacis afuera.
6. **Conecte** el suministro de agua a la entrada de la bomba (G). **NOTA:** El agua suministrada debe tener un promedio de 18,925 l/min (5 galones) por minuto a 137,8 kPa. (Fig. 9)



**⚠ ADVERTENCIA** Para reducir la posibilidad de contaminación proteja siempre el sistema contra la contracorriente cuando realice una conexión al sistema de agua potable.

7. **Conecte** la manguera de alta presión a la salida de la bomba (E).
8. **Si intenta aplicar una solución química o de limpieza, refiérase a las instrucciones para su uso en esta sección.**
9. **Insertar la boquilla de conexión rápida según la tarea.** Véanse las instrucciones Cómo usar la varilla en esta sección.
10. **Abra el suministro de agua.**

**PRECAUCIÓN** RIESGO DE DAÑO A LA PROPIEDAD. La

acción contraria podría dañar la bomba.

11. **Elimine todo el aire de la bomba** y la manguera de alta presión presionando el disparador hasta que haya un flujo constante de agua.
12. **Ponga el motor en marcha; refi erase al manual del motor para informarse del procedimiento correcto.**

**⚠ ADVERTENCIA** RIESGO DE OPERACIÓN INSEGURA.

Si el motor no arranca después de halar dos veces, apriete el disparador de la pistola para aliviar la presión de la bomba. Hale del cable de arranque lentamente hasta sentir cierta resistencia. Entonces, hale de él rápidamente para evitar el retroceso y que se produzcan lesiones en las manos o los brazos.

13. **Presione el gatillo de la pistola** para iniciar el fl ujo del agua.

**⚠ ADVERTENCIA** RIESGO DE OPERACIÓN INSEGURA.

Párese en una superficie estable y agarre la pistola/varilla firmemente con ambas manos. Espere que la pistola retroceda cuando la dispare.

14. **Suelte el gatillo** para detener el fl ujo de agua.

**⚠ PELIGRO**

**RIESGO DE LESIÓN POR PULVERIZACIÓN.** Trabe el bloqueador del disparador cuando la pistola no esté en uso, a fin de evitar la pulverización accidental.



## APAGADO

1. **Después de cada uso**, si ha aplicado químicos, ponga agua limpia en el sistema de inyección química para enjuagar bien el sistema.

**PRECAUCIÓN** RIESGO DE DAÑO A LA PROPIEDAD. La acción contraria podría dañar la bomba.

2. **Apagado del motor.** Refiérase al manual del propietario del motor.

**PRECAUCIÓN** RIESGO DE DAÑO A LA PROPIEDAD. NUNCA corte el suministro del agua mientras el motor esté en marcha.

3. **Corte el suministro del agua.**
4. **Presione el gatillo de la pistola rociadora** para aliviar cualquier presión de agua dentro de la manguera o la pistola rociadora.
5. **Ver la sección almacenaje** en este manual para informarse del procedimiento adecuado.



## MANTENIMIENTO

• GUÁRDENSE TODAS LAS INSTRUCCIONES

**⚠ ADVERTENCIA RIESGO DE QUEMADURA.** Cuando realice el mantenimiento, es posible que se exponga a superficies calientes, presión de agua o partes móviles, que pueden causar lesiones graves o la muerte.

**⚠ ADVERTENCIA RIESGO DE INCENDIO.** Siempre desconecte el cable de la bujía, deje que el motor se enfríe y libere toda la presión del agua antes de realizar cualquier tarea de mantenimiento o reparación. El motor contiene combustible inflamable. No fume ni trabaje cerca de llamas mientras hace el mantenimiento.

Para asegurar el funcionamiento eficiente y una larga vida de su lavadora a presión, se debe preparar y seguir un programa rutinario de mantenimiento. Si la lavadora a presión se usa en condiciones inusuales, como de alta temperatura o polvo, se requiere un mantenimiento más frecuente.

### MOTOR

Para todas las operaciones de mantenimiento del motor, refiérase a las recomendaciones del fabricante en su Manual del Propietario. **NOTA:** El tapón de drenaje del motor está ubicado en la parte posterior de la unidad.

### BOMBA

La bomba de esta unidad requiere aceite. El tipo de aceite recomendado es fluido comercial para tractores (fluido hidráulico para tractores). La capacidad de la bomba de aceite es de 11 onzas.

Para revisar el aceite, retire la varilla que se localiza en la parte superior de la bomba. El nivel de aceite debe estar entre las líneas que señalan el nivel máximo y el mínimo. Asegúrese de que el aceite no esté por debajo de la línea que señala el nivel mínimo.

Para agregar aceite, retire la varilla y agregue aceite hasta que el nivel quede entre las líneas de los niveles máximo y mínimo. Reemplace de la varilla. Si hay algún problema con la bomba, comuníquese con el Centro de Servicio Autorizado.



### LIMPIEZA DE LA BOQUILLA

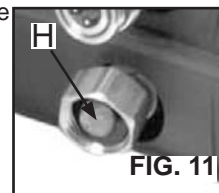
Si la boquilla comienza a obstruirse con materiales extraños como suciedad, se puede una presión excesiva. Si se obstruye o restringe parcialmente, la presión de la bomba pulsará. Limpie la boquilla inmediatamente usando el juego limpiador provisto y las siguientes instrucciones:

1. Apague la lavadora a presión y corte el suministro de agua.
2. Apriete el gatillo de la pistola para aliviar la presión del agua.
3. Retirar la boquilla de conexión rápida de la varilla de rociado.
4. Despejar cualesquier obstrucciones de la boquilla de conexión rápida con la herramienta para limpieza de boquillas provista y lavarla con agua limpia abundante.
5. Reinstalar la boquilla de conexión rápida en la varilla de rociado y abrir la válvula de suministro de agua.
6. Arrancar la hidrolavadora y probarla.

### CÓMO LIMPIAR EL FILTRO DE ENTRADA DEL AGUA

Este filtro de malla debe revisarse periódicamente y limpiarse cuando sea necesario.

1. **Quite el filtro** agarrándolo firmemente del extremo y sáquelo de la entrada del agua a la bomba, como se muestra. (Fig. 11)
2. **Limpie el filtro** enjuagándolo con agua por ambos lados.
3. **Reinserte el filtro** en la entrada de agua de la bomba. **NOTA:** La parte cónica hacia arriba.



**NOTA:** No opere la lavadora a presión sin el filtro instalado adecuadamente.

### ALMACENAMIENTO

• GUÁRDENSE TODAS LAS INSTRUCCIONES

### MOTOR

Vea las recomendaciones para el almacenaje en el Manual del Propietario de su motor.

### BOMBA

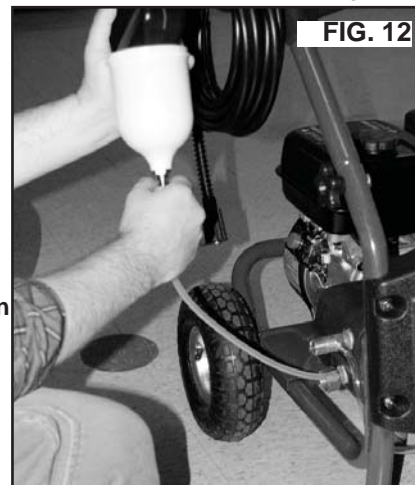
El fabricante recomienda que se utilice un protector/protector de invierno para bombas cuando almacene la unidad durante más de 30 días y/o cuando estén pronosticadas heladas. Si no dispone de estos protectores, es necesario hacer pasar anticongelante para vehículos recreativos (RV) o líquido lavaparabrisas por la bomba, como se describió en los pasos anteriores.

**NOTA:** El uso de un protector/protector de invierno para bombas, anticongelante RV o líquido lavaparabrisas tiene como fin brindarle una lubricación adecuada a los sellos internos de la bomba, independientemente de la temperatura o el entorno.

1. Consiga un embudo, 172 gr (6 onzas) de anticongelante RV o líquido lavaparabrisas y una manguera de jardín de entre 40 y 91cm (16 a 36") con un conector macho de mangueras unido a un extremo.

**PRECAUCIÓN RIESGO DE DAÑO A LA PROPIEDAD.** Use sólo anticongelante RV. Cualquier otro tipo de anticongelante es corrosivo y puede dañar la bomba.

2. **Desconecte el cable de la bujía.**
3. **Conecte la manguera de jardín a la entrada de agua de la bomba.**
4. **Agregue anticongelante o líquido lavaparabrisas** a la manguera, tal como se muestra. (Fig. 12)
5. **Hale de la cuerda de arranque varias veces** hasta que el anticongelante/líquido lavaparabrisas salga por la conexión para manguera de alta presión de la bomba.
6. **Quite la manguera de jardín de la entrada de agua de la bomba.**
7. **Vuelva a conectar el cable de la bujía.**



# GUÍA DE DIAGNÓSTICO DE PROBLEMAS

• GUÁRDENSE TODAS LAS INSTRUCCIONES

Problema	Causa	Corrección
El motor no arranca (vea el diagnóstico de problemas en el manual del motor).	<ol style="list-style-type: none"> <li>1. Sin combustible.</li> <li>2. Acumulación de presión después de tirar dos veces de la cuerda del arrancador o después de iniciar su uso.</li> <li>3. La leva de cebado (choke) está en la posición de "No Choke".</li> <li>4. El cable de la bujía está desconectado.</li> <li>5. El interruptor del motor está en apagado en la posición "OFF".</li> <li>6. La leva de cebado (choke) está en la posición de "Choke" cuando el motor está "caliente" o ha estado expuesto al calor por un largo periodo.</li> </ol>	<ol style="list-style-type: none"> <li>1. Agregue combustible.</li> <li>2. Apriete el gatillo de la pistola para aliviar la presión.</li> <li>3. Mueva la leva de cebado a la posición de "Choke".</li> <li>4. Conecte el cable de la bujía.</li> <li>5. Encienda el motor moviendo el interruptor a la posición "ON".</li> <li>6. Mueva la leva de cebado (choke) a la posición de "No Choke".</li> </ol>
No hay presión o está baja al comenzar a usar.	<ol style="list-style-type: none"> <li>1. Boquilla de alta presión no se instala</li> <li>2. Poca agua en el suministro.</li> <li>3. Fuga en la conexión de la manguera de alta presión.</li> <li>4. Boquilla obstruida.</li> <li>5. La malla filtrante de agua está obstruida.</li> <li>6. Aire en la manguera.</li> <li>7. La leva de cebado (choke) está en la posición de "Choke".</li> <li>8. La manguera de alta presión es demasiado larga.</li> </ol>	<ol style="list-style-type: none"> <li>1. Refiérase a las instrucciones para el uso del tubo aplicador en la sección "Operación".</li> <li>2. El suministro de agua debe tener por lo menos 19 L/min a 138 kPa (5 GPM a 20 PSI).</li> <li>3. Repare la fuga. Aplique cinta selladora si fuese necesario.</li> <li>4. Refiérase a las instrucciones para el uso del limpiador de boquillas en la sección "Mantenimiento".</li> <li>5. Elimine la obstrucción y limpie la malla filtrante.</li> <li>6. Apague el motor, luego corte el suministro de agua y desconéctelo de la entrada a la bomba. Abra el suministro de agua para eliminar todo el aire que haya en la manguera. Cuando el flujo de agua sea constante, ciérrrelo, conéctelo a la entrada de la bomba y ábralo. Apriete el gatillo para eliminar el aire restante.</li> <li>7. Mueva la leva a la posición de "No Choke".</li> <li>8. Utilice una manguera de alta presión de menos de 30 m (100').</li> </ol>
No succiona productos químicos.	<ol style="list-style-type: none"> <li>1. Boquilla de jabón de baja presión no se instala</li> <li>2. El filtro de productos químicos está obstruido.</li> <li>3. La malla para químicos no está en la solución limpiadora.</li> <li>4. El producto químico está demasiado espeso.</li> <li>5. La manguera de alta presión es demasiado larga.</li> <li>6. Acumulación de sedimentos químicos en el inyector.</li> </ol>	<ol style="list-style-type: none"> <li>1. Vea el procedimiento para el "Uso del Tubo Aplicador" en la sección "Operación".</li> <li>2. Limpie el filtro.</li> <li>3. Asegúrese que el extremo de la manguera para químicos esté sumergida completamente en la solución limpiadora.</li> <li>4. Diluya más el producto químico. Debe tener la misma consistencia del agua.</li> <li>5. Alargue la manguera de suministro de agua en vez de la manguera de alta presión.</li> <li>6. Haga cambiar las piezas en un SADG.</li> </ol>
No hay presión o está baja después de un tiempo normal de uso.	<ol style="list-style-type: none"> <li>1. Sello o empaquetadura gastada.</li> <li>2. Válvulas gastadas u obstruidas.</li> <li>3. Pistón de descarga gastado.</li> </ol>	<ol style="list-style-type: none"> <li>1. Hágalo cambiar en un SADG.</li> <li>2. Hágalo cambiar en un SADG.</li> <li>3. Hágalo cambiar en un SADG.</li> </ol>
Water leaking at gun/spray wand connection	<ol style="list-style-type: none"> <li>1. Anillo "O" gastado o roto.</li> <li>2. Acople de manguera flojo.</li> </ol>	<ol style="list-style-type: none"> <li>1. Check and replace.</li> <li>2. Ajustelo.</li> </ol>
Agua goteando por la conexión de la pistola / tubo aplicador.	<ol style="list-style-type: none"> <li>1. Acoples flojos.</li> <li>2. Empaquetaduras del pistón gastadas.</li> <li>3. Anillo "O" gastados o rotos.</li> <li>4. Cabezal de la bomba o tubos dañados por congelamiento.</li> </ol>	<ol style="list-style-type: none"> <li>1. Ajustelos.</li> <li>2. Hágalo cambiar en un SADG.</li> <li>3. Hágalo cambiar en un SADG.</li> <li>4. Hágalo cambiar en un SADG.</li> </ol>
La bomba pulsa.	<ol style="list-style-type: none"> <li>1. Boquilla obstruida.</li> </ol>	<ol style="list-style-type: none"> <li>1. Refiérase a las instrucciones para el uso del limpiador de boquillas en la sección "Mantenimiento".</li> </ol>

SADG= centro de mantenimiento autorizado

## REPARACIONES

• GUÁRDENSE TODAS LAS INSTRUCCIONES

Para garantizar la SEGURIDAD y la CONFIABILIDAD del producto, las reparaciones, el mantenimiento y los ajustes se deben realizar en un centro de mantenimiento autorizado. Utilice siempre piezas de repuesto idénticas. Para conocer la ubicación del centro de mantenimiento más cercano llame al 1-888-895-4549 o visite nuestro sitio Web [www.powermate.com](http://www.powermate.com).

# GARANTÍA LIMITADA

• GUÁRDENSE TODAS LAS INSTRUCCIONES

## COBERTURA DE GARANTÍA: MAT Industries, LLC (la Compañía)

garantiza al consumidor minorista original en América del Norte que reparará o reemplazará, gratuitamente, cualesquier piezas que la Compañía o su representante autorizado de servicio determinen tener defectos en materiales o mano de obra. Esta garantía cubre el costo de piezas de repuesto y mano de obra por defectos en materiales o mano de obra.

## NO CUBIERTOS

- Cargos de transporte por envío del producto a la Compañía o a su representante autorizado de servicio para servicio de garantía o por envío de devolución de productos reparados o reemplazados al cliente. Estos cargos correrán por cuenta del cliente.
- El motor podrá ser cubierto exclusivamente por una garantía separada del fabricante del motor de conformidad con el manual del motor (si se incluye).
- Daños causados por abuso o accidente y los efectos de corrosión, erosión y desgaste y deterioro por uso normal.

- La garantía es nula si el cliente no mantiene u opera el producto conforme a las instrucciones y recomendaciones de la Compañía en el manual del propietario.
- La garantía es pertinente únicamente si se utiliza el producto para aplicaciones de consumidores; no así si se lo utiliza para aplicaciones comerciales o empresariales o como equipo de alquiler.
- La Compañía no pagará por ajustes y reparaciones al producto (costo o mano de obra) efectuados sin autorización previa de la Compañía.

## PERÍODO DE GARANTÍA

Dos (2) años a partir de la fecha de compra. Para el servicio de garantía, el cliente ha de presentar un comprobante de compra fechado y ha de notificar a la Compañía dentro del período de garantía.

**Para contactar al servicio de garantía: Llámese gratuitamente al 888-895-4549 o escríbase a Sanborn Manufacturing Co., Product Services, 118 West Rock Street, P.O. Box 206, Springfield, MN 56087.**

## EXCLUSIONES Y LIMITACIONES

LA COMPAÑÍA NO OFRECE NINGUNA OTRA GARANTÍA DE NINGÚN TIPO, EXPRESA O IMPLÍCITA. POR ESTE MEDIO LA COMPAÑÍA DECLINA TODA RESPONSABILIDAD POR GARANTÍAS IMPLÍCITAS, INCLUIDAS LAS GARANTÍAS DE COMERCIALIZACIÓN E IDONEIDAD PARA UN PROPÓSITO ESPECÍFICO. EL SERVICIO DE GARANTÍA DESCRITO ARRIBA ES EL REMEDIO EXCLUSIVO AL AMPARO DE ESTA GARANTÍA; SE EXCLUYE TODA RESPONSABILIDAD POR DAÑOS INCIDENTALES Y EMERGENTES HASTA DONDE LO PERMITA LA LEY. Esta garantía brinda al consumidor derechos jurídicos específicos y, asimismo, es posible que el consumidor tenga otros derechos que varían de un estado a otro. Algunos estados no permiten declinaciones de responsabilidad de garantías implícitas ni la exclusión o limitación de daños incidentales o emergentes, por lo cual las declinaciones de responsabilidad y exclusiones anteriores podrían no ser pertinentes en algunos casos.

